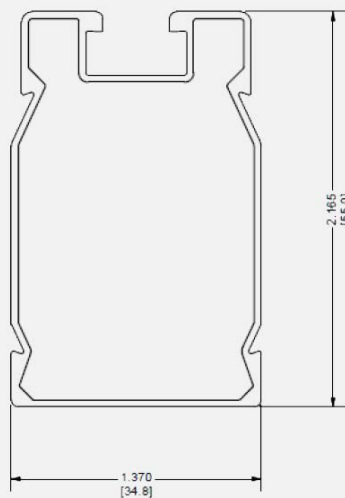


## SMR100 Rail



### SMR100 Rail



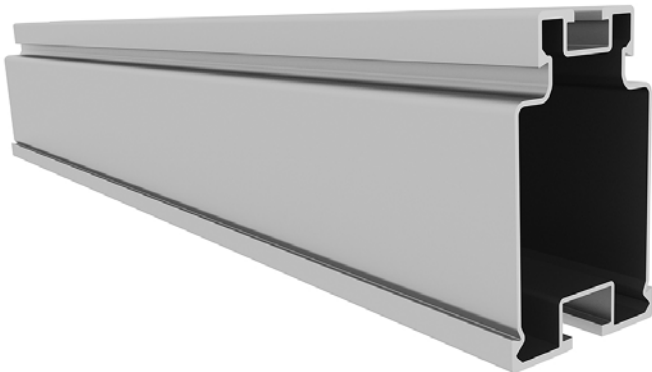
#### Mechanical Properties

Material: 6005-T5 Aluminum  
 Weight: 0.4126 lbs/ft (0.614 kg/m)  
 Ultimate Tensile Strength: 37.7 ksi (260 MPa)  
 Yield Strength: 34.8 ksi (240 MPa)

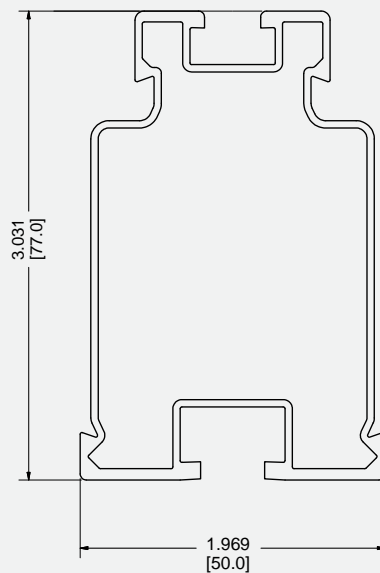
#### Section Properties

Sx: 0.196 in<sup>3</sup> (3.21 cm<sup>3</sup>)  
 Sy: 0.146 in<sup>3</sup> (2.39 cm<sup>3</sup>)  
 Area (X-section): 0.352 in<sup>2</sup> (2.27 cm<sup>2</sup>)

## SMR300 Rail



### SMR300 Rail



#### Mechanical Properties

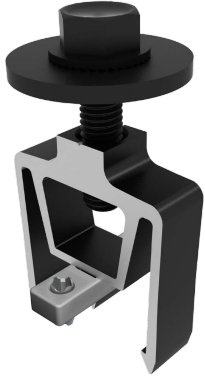
Material: 6005-T5 Aluminum  
 Weight: 0.783 lbs/ft (1.167 kg/m)  
 Ultimate Tensile Strength: 37.7 ksi (260 MPa)  
 Yield Strength: 34.8 ksi (240 MPa)

#### Section Properties

Sx: 0.527 in<sup>3</sup> (8.64 cm<sup>3</sup>)  
 Sy: 0.303 in<sup>3</sup> (4.97 cm<sup>3</sup>)  
 Area (X-section): 0.669 in<sup>2</sup> (4.32 cm<sup>2</sup>)

Part Number	Description
A20422-168-BK	SMR100 Rail, 168", Black Anodized
A20422-168-ML	SMR100 Rail, 168", Mill Finish
A20444-174-ML	SMR300 Rail, 174", Mill Finish
A20444-212-ML	SMR300 Rail, 212", Mill Finish

## Mid Clamp



## End Clamp

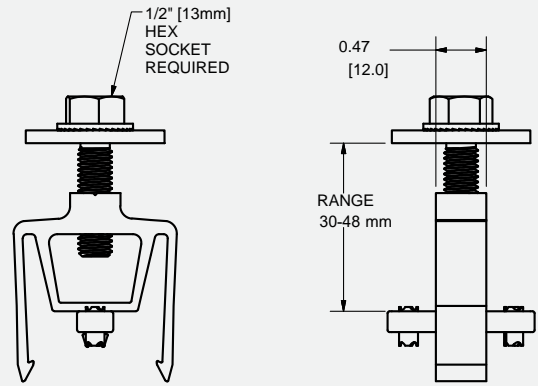


## Bottom End Clamp



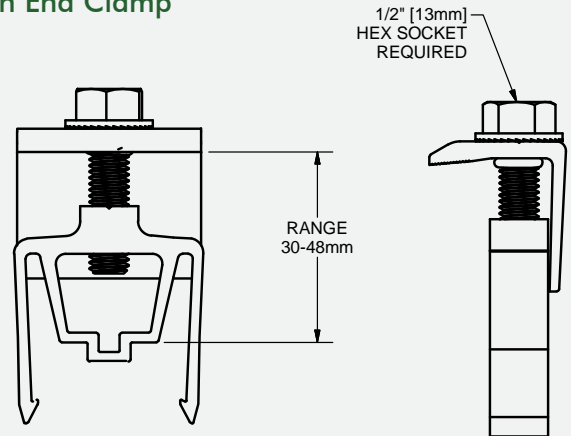
Part Number	Description
K10417-004	Mid Clamp, SMR Pop-On, Silver
K10417-BK4	Mid Clamp, SMR Pop-On, Black
K10418-004	End Clamp, SMR Pop-On, Silver
K10418-BK4	End Clamp, SMR Pop-On, Black
K10505-001	Bottom End Clamp, SMR100, Silver
K10505-BK1	Bottom End Clamp, SMR100, Black

## Pop-On Bonding Mid Clamp



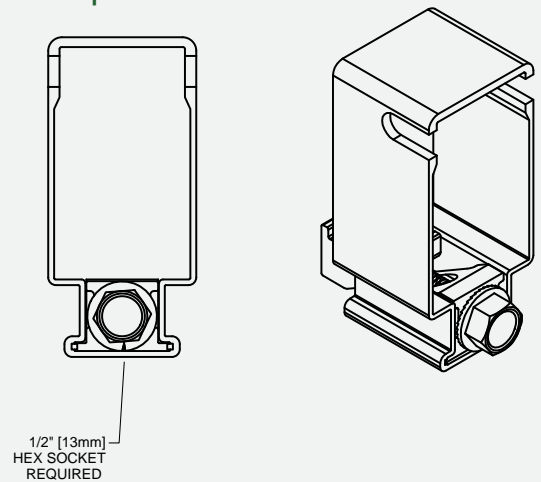
Material: Aluminum and Stainless Steel hardware

## Pop-On End Clamp



Materials: Aluminum and Stainless Steel hardware

## Bottom End Clamp

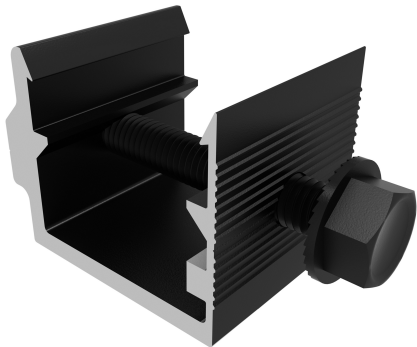


Materials: Aluminum and Stainless Steel hardware

**SMR Rail Splices**

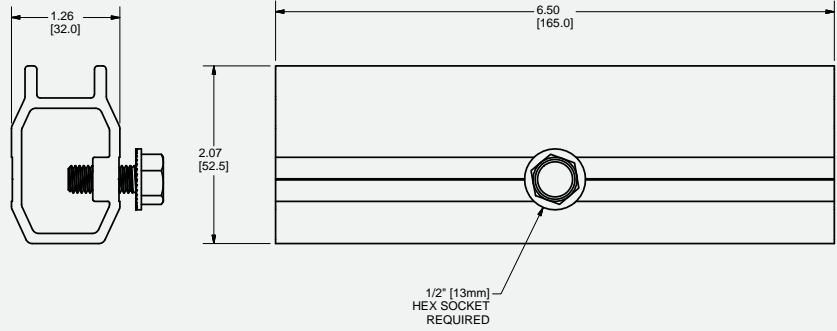


**L-Foot Adaptors**

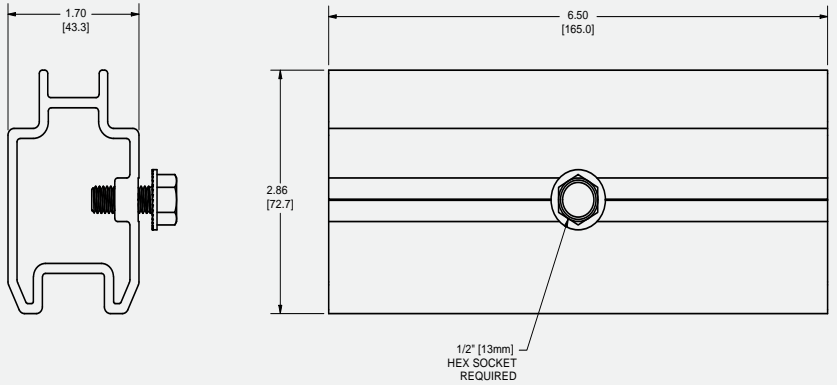


Part Number	Description
K10421-004	Rail Splice, SMR100
K10485-002	Rail Splice, SMR300
K10433-002	L Foot Adaptor, SMR100, Silver
K10433-BK2	L Foot Adaptor, SMR100, Black
K10434-002	L Foot Adaptor, SMR300, Silver

**SMR100 Rail Splice**

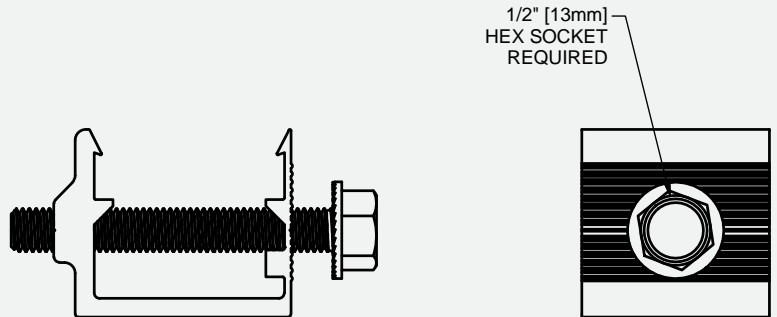


**SMR300 Rail Splice**



Material: Aluminum and Stainless Steel hardware

**SMR100 L-Foot Adaptor**

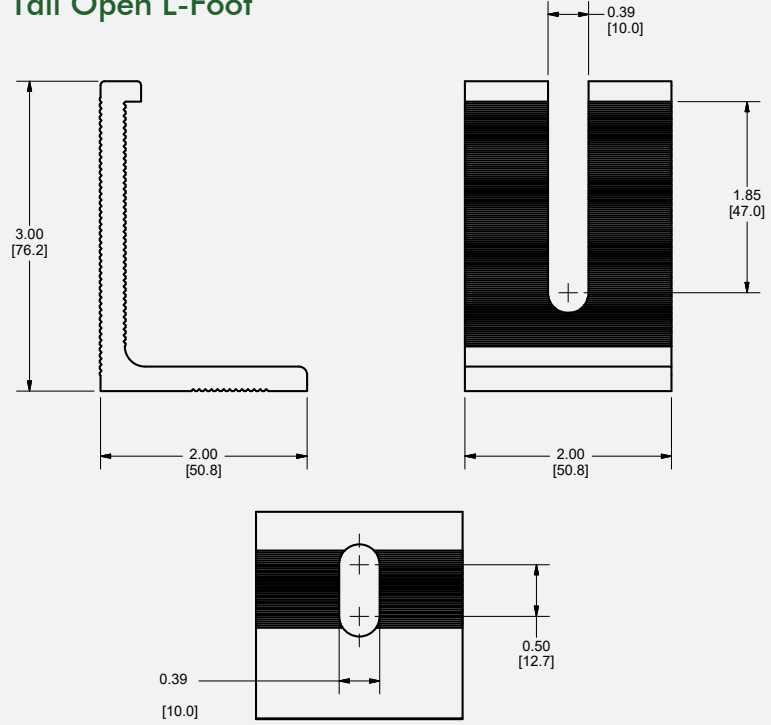


Material: Aluminum and Stainless Steel hardware

3" Tall Open L-Foot



3" Tall Open L-Foot

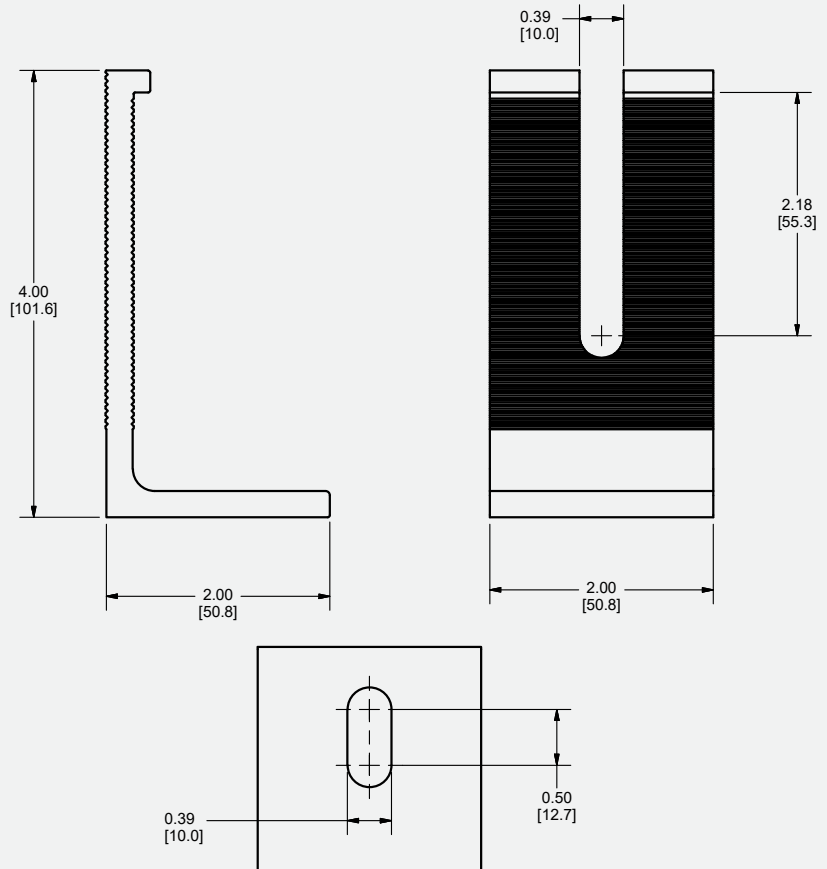


Material: Aluminum

4" Tall Open L-Foot



4" Tall Open L-Foot



Material: Aluminum

Dimensions shown are inches (and millimeters)

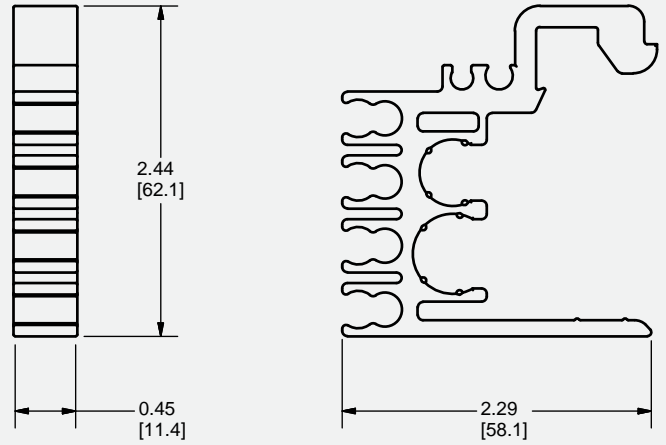
Details are subject to change without notice

Part Number	Description
A50223-002	L-Foot, Open, 3", Silver
A50223-BK2	L-Foot, Open, 3", Black
A20458-001	L-Foot, Open, 4", Silver
A20458-BK1	L-Foot, Open, 4", Black

Wire Management Clip



SMR100 Wire Management Clip

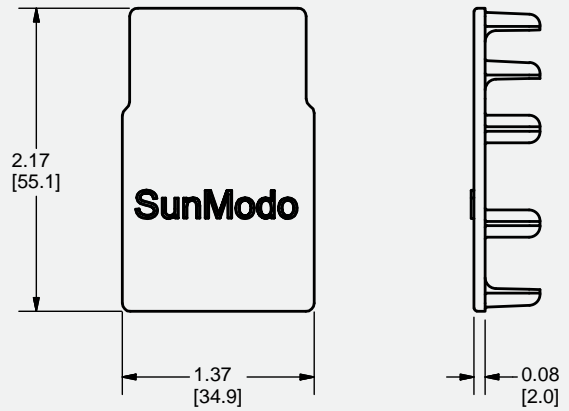


Material: Black Polyamide

Rail End Cap



Rail End Cap, SMR100



Material: Black Polyamide

Part Number	Description
C10055-BK1	Wire Management Clip, SMR100
C10051-BK1	Rail End Cap, SMR100