



HANERSUN



**HANERSUN
PV MODULES
INSTALLATION
MANUAL**

**汉伏能源
光伏组件安装手册**

**For Standard Single-Glass Modules
常规单玻组件**



CONTENTS 目录

1. INTRODUCTION 手册介绍	2
1.1. DISCLAIMER 免责声明	2
1.2. LIMITATION OF LIABILITY 责任范围	3
2. SAFETY PRECAUTIONS 安全措施	3
2.1. WARNING 警告	3
2.2. GENERAL SAFETY 通用安全	3
2.3. HANDLING SAFETY 操作安全	5
3. UNLOAD/TRANSPORTATION/STORAGE 卸货、运输和存储	6
3.1. LABELS ON OUTER PACKAGING 包装标示说明	8
3.2. UNLOADING WARNING 卸货注意事项	9
3.3. SECONDARY TRANSPORT AND WARNING 二次运输及注意事项	10
3.4. VERTICAL PACKAGE UNPACKING METHOD 垂直包装拆包方案	12
3.5. STORAGE 存储	13
4. UNPACKING SAFETY 拆包安全	14
5. INSTALLATION 安装	15
5.1. INSTALLATION SAFETY 安装安全	15
5.2. ENVIRONMENT CONDITIONS AND SITE SELECTION 环境条件与安装地址选择	17
5.3. TILT ANGLE OF INSTALLATION 光伏组件安装倾角	21
5.4. INSTALLATION METHOD 安装方法	23
6. MODULE MAINTENANCE 组件维护	39
6.1. PANEL VISUAL INSPECTION AND REPLACEMENT 组件外观检查和替换	39
6.2. CONNECTOR AND CABLE INSPECTION 连接器和线缆检查	41
6.3. CLEANING 清洗	41
7. ELECTRICAL RATING 功率档位	46

Thank you for choosing HANERSUN modules!

非常感谢您选用汉伏能源光伏组件！

1. INTRODUCTION 手册介绍

This general manual applies to the installation, maintenance and use of the single glass solar modules manufactured by Hanersun Technology Co., Ltd. (hereinafter referred to as "Hanersun"). Failure to follow these instructions could result in personal injury or property damage. 本手册适用于汉伏能源技术(南京)有限公司(以下简称“汉伏能源”)生产的单玻系列太阳能组件的安装、维护和使用。如果不遵守,将可能导致人员伤亡或财产损失。

Installation and operation of PV modules requires professional skills and should only be performed by qualified professionals. Please read the "Safety and Installation Instructions" carefully before using and operating the modules. 安装和操作太阳能组件需要专业的技能,只有专业人员才可以从事该项工作。请在使用和操作组件之前仔细阅读安全和安装说明。

The word "module" or "PV module" used in this manual refers to one or more single glass solar modules. Please keep this manual for future reference. 本手册中的“组件”或“PV 组件”指的是一个或多个单玻系列太阳能组件。请保留此说明书以供将来参考。

1.1. DISCLAIMER 免责声明

(1). Hanersun Technology Co., Ltd. reserves the rights to change this User Manual without prior notice. Please refer to our product lists and documents published on our website at: <https://www.hanersun.com> as these lists are updated on a regular basis. 汉伏能源技术(南京)有限公司保留在没有预先通知的情况下变更本安装手册的权利,最新版请参考汉伏能源网站(<https://www.hanersun.com>)上的产品和文件资料。

(2). In the event of any inconsistency among different language versions of this document, the Chinese version shall prevail. 如果本手册的不同语言版本有描述不一致的情况,以中文版为准。

(3). Failure of the customer to follow the requirements outlined in this Manual during the installation of the module will result in the invalidity of product's limited warranty. 客户在安装组件过程中未按照本手册中所列出的要求操作,会导致提供给客户的产品有限质保失效。

(4). Hanersun is not responsible for any infringement of third party patents or any other rights arising from the use of solar PV modules. 使用太阳能光伏组件过程中所产生侵犯第三方专利权或任何其他

权利，汉伏能源概不负责。

(5). The information in this manual is based on Hanersun's knowledge and experience and is believed to be reliable, but such information including product specification (without limitations) and suggestions Do not constitute a warranty, expresses or implied. 本手册的信息基于汉伏能源的被认为是可靠的知识 and 经验，但是包括但不限于如下的产品规格的这些信息和相关的建议并不构成任何保证条款，无论明示的或隐含的。

1.2. LIMITATION OF LIABILITY 责任范围

Hanersun is not responsible for any form of damage, including but not limited to module operation and system installation error, and personnel injury, hurt, and property loss resulting from failure to follow the instructions in this Manual. 汉伏能源不为任何形式的伤害负责，包括但不限于组件操作、系统安装失误以及未按照本手册的指示产生的身体伤害、受伤和财产损失负责。

2. SAFETY PRECAUTIONS 安全措施

2.1. WARNING 警告

Before attempting to install, wire, operate and/or service the module and other electrical equipment, all instructions should be read and understood. Direct current (DC) is generated when the cell surface of the module is exposed to direct sunlight or other light sources, and direct contact with the live parts of the module, such as terminals, may result in death of personnel whether connected to the module or not. 对组件进行安装、接线、操作或维护前，应阅读并理解所有安全细则。当组件电池面直接暴露在阳光或其他光源下时，会产生直流电(DC)，无论是否连接组件，直接接触组件带电部分，例如接线端子等，将可能导致人员伤亡。

2.2. GENERAL SAFETY 通用安全

Hanersun modules are designed to meet the requirements of IEC 61215 and IEC 61730 Modules rated for use in this application class may be used in system operating at greater than 50V DC or 240W, where general contact access is anticipated. Modules qualified for safety through IEC 61730-1 and IEC 61730-2 and within this application class are considered to meet the requirements for safety class II equipment. 汉伏能源的组件设计符合国际 IEC61215 和 IEC61730 标准；组件可用于公众可能接触的大于直流

50V 或 240W 以上的系统。并且组件通过了 IEC61730-1 和 IEC61730-2 两部分，满足安全 II 类的要求。

(1). All installation work must comply with the local codes and the relevant international electrical standards. 所有的安装工作必须完全遵守当地法规和相应的国际电气标准。

(2). Hanersun recommends that PV module installation is conducted by personnel who have been professionally trained in PV system installation. Operation by personnel who are not familiar with the relevant safety procedures will be very dangerous. 建议由经过光伏系统安装专业培训的人员进行安装。如由不熟悉相应安全程序的人员操作将会非常危险。

(3). Do not allow unauthorized persons to access the installation area or module storage area. 不允许未经授权的人员接近安装区域或者组件仓储区域。

(4). Protective clothing (non-slip gloves, clothes, etc.) must be worn during installation to prevent direct contact with 30V DC or greater, and to protect hands from sharp edges. 使用恰当的防护措施（防滑手套、工作服等）以避免安装人员与 30V 直流或更高电压直接接触，同时避免在安装过程中手直接与组件锋利的边缘接触。

(5). Prior to installation, remove all metallic jewelry to prevent accidental exposure to live circuits. 安装时请不要佩戴金属饰物，以免戳穿组件，引起触电危险。

(6). When installing modules in light rain, morning dew, take appropriate measures to prevent water ingress into the connectors, f. e. using connector endcaps. 如果在阴雨、晨雾天气安装组件，需采取适当的措施避免水浸入连接器。

(7). Use electrically insulated tools to reduce the risk of electric shock. 请使用绝缘工具以降低触电的风险。

(8). Do not use or install broken modules. 不要使用或安装已损坏的组件。

(9). External or artificially concentrated sunlight shall not be directed onto the front or back face of the PV module. 外部或人为聚焦的阳光不得直射到光伏组件的正面或背面。

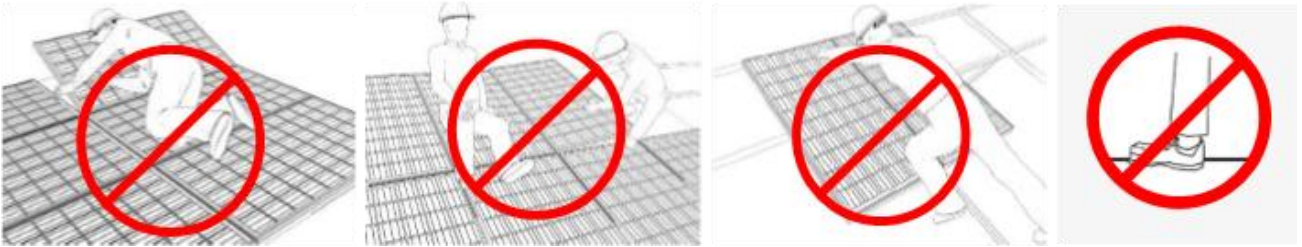
(10). Do not contact module surface if the front or rear glass is broken. This may cause electric shock. 如果在表面玻璃损坏或背板磨损的情况下接触组件的表面或边框可能会引起触电。

(11). Do not attempt to repair, disassemble, move any part of the PV module. The module does not contain any reusable parts. 不要试图修复、拆解或移动组件中的任何部分，组件内没有可重复使用的元件。

(12). Do not connect or disconnect the module when it is energized or connected with an external power supply. 当组件有电流或外部电流出现时，不得连接或断开组件。

2.3. HANDLING SAFETY 操作安全

(1). Do not stand, walk on or lean on the module directly. 禁止直接在包装或组件上站立、踩踏、行走或跳跃。



(2). Do not damage or scratch the front or backside surfaces of the module. 请不要损坏或划伤组件的前后表面。

(3). Do not drag, scratch, bend the output cable with force or with too tight connection. The insulation of output cable can break and may result in electricity leakage or shock. 请不要拉扯、划伤、用力弯折或过紧安装输出线缆，否则线缆的绝缘部分会被损坏导致电流泄露或触电。

(4). If there is an open fire, please extinguish it with a dry powder extinguisher after disconnecting the power supply, cannot use liquid such as water to extinguish the fire. 如有明火请在断开电源后用干粉灭火器扑灭，不可用水等液体扑灭。

(5). Do not install or handle modules when they are wet or during periods of high wind. 请不要在潮湿或者大风期间安装或处理组件。

(6). At the installation site, take care to keep modules and in particular their electrical contacts, clean and dry before installation. If connector cables are left in damp conditions then the contacts may corrode. Any module with corroded contacts should not be used. 在安装现场，请保持组件电器元件的清洁与干燥。如果线缆插头在潮湿条件下互相接触，会被腐蚀。任何被腐蚀的组件都不能被使用。

(7). Please do not loosen, unscrew or peel the PV module bolts and frame glue. This may lead to a reduction of the module's load rating and potential damage from a fall. 请不要松动、拧下、剥离，光伏组件的螺丝或边框胶，有可能导致组件载荷下降，甚至掉落。

(8). Do not drop PV modules or allow objects to fall down on the PV modules. 请不要让物体直击组件或物体直接掉落在组件上。

(9). Do not touch the terminal box or the ends of the output cables (connectors) with bare hands under sunlight, regardless of whether the PV module is connected to or disconnected from the system. 在阳光下，请不要在没有任何保护的情况下用手直接接触组件的接线盒、连接器、线缆等带电体，无论光伏组件

是否与系统连接。

(10). Do not discard the modules at will; special recycling is required. 禁止组件随意丢弃，需要专门回收。

3. UNLOAD/TRANSPORTATION/STORAGE 卸货、运输和存储

Precautions and general safety rules:

预防措施和通用安全细则：

(1). Modules should be stored in a dry and ventilated environment to avoid direct sunlight and moisture and extra precautions should be taken to prevent connectors from being exposed to moisture or sunlight, like using connector endcaps. 应将组件储存在干燥且通风的环境中，同时需要采取措施避免连接器暴露在潮湿或者阳光下，比如使用连接器端帽。

(2). The modules should be stored in the original Hanersun package before installation. Protect the package from damage. Unpack the modules as per the recommended unpacking procedures. The whole process of unpacking, transport and storing should be handled with care. 组件在安装前应存储在原包装箱内，请保护好包装不要使其受损。按建议的拆包步骤打开组件包装。打开、运输和存储过程需小心操作。

(3). Before installation, ensure that all modules and electrical contacts are clean and dry. 安装前，确保所有组件和电气接触都是干净和干燥的。

(4). Unpacking must be carried out by two or more persons at the same time. 拆包时，必须由 2 个或 2 个以上人员同时操作。

(5). Handling the modules requires two or more people with nonslip gloves and both hands. 搬运组件时应由 2 个或以上的人带防滑手套同时双手手持组件搬运。

(6). Do not lift modules by their wires or junction box. 禁止拉扯组件的导线或接线盒来搬运组件。

(7). Do not handle the modules over-head or stack the modules. 禁止头顶组件搬运；禁止堆叠组件。

(8). Do not place excessive loads on the module or twist the module. 禁止在组件上施加过度的载荷或扭曲组件。

(9). Do not drop or place objects (such as tools) on the modules. 禁止掉落或堆放物品（如安装工具）在组件上。

(10). Do not put the modules in a place that is not supported or stable. 禁止将组件置于无可靠支撑

或未固定的环境下。

(11). Do not allow the modules to come in contact with sharp-pointed objectives to prevent them from scratches, avoiding a direct impact on the safety of modules. 禁止组件与尖锐物接触，以防划伤，避免直接影响组件的安全性。

(12). Do not expose the modules and its connectors to any chemical substance (e.g. oil, lubricant, pesticide, etc.). 禁止将组件或者其电气接口暴露在化学物质下（比如油，润滑剂，杀虫剂等）。

(13). Before the secondary transportation vehicle is started, it should be bundled with net ropes. The rope should be fastened to prevent damage to the modules during the transportation. The speed of the vehicle carrying the modules should be ≤ 5 km/h. 在二次搬运车辆启动前，应采用网绳捆绑，绳索应系牢，严防组件在运输过程左右晃动造成损坏：搬运组件车辆行驶速度宜 ≤ 5 公里/小时。

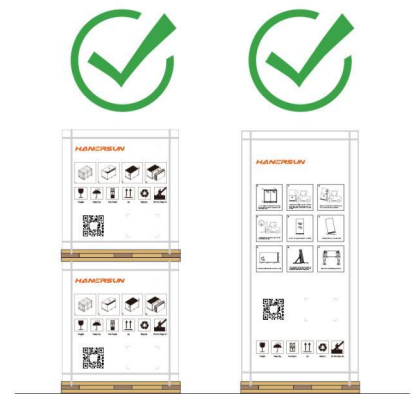
(14). In any circumstances, for vertical landscape packages, it shall not be stacked more than two layers; for vertical portrait packages, stacking is not allowed. Example for vertical landscape package and vertical portrait package is shown as follows: 任何情况下，短边竖放包装请勿堆叠超过 2 层，长边竖放包装不允许堆叠。短边竖放包装（横式包装）和长边竖放包装（立式包装）样式如下：



Vertical landscape package
(short-side vertically placed)
短边竖放包装（横式包装）



Vertical portrait package
(long-side vertically placed)
长边竖放包装（立式包装）



Right Examples
正确示例

3.1. MAKERS ON OUTER PACKAGING 包装标示说明

<p>3.1.1. Need both hands to handle it carefully. 需要双手小心操作。</p> 	<p>3.1.2. Uninstalled modules must be kept dry, not expose to rain or moisture. 禁止未安装的组件淋雨或者受潮。</p> 
<p>3.1.3. Modules in carton are fragile, which must be handled with care. 纸箱中的组件为易碎物品，搬运时应小心轻放。</p> 	<p>3.1.4. The packaging must be transported upright. 包装在运输时应竖直向上。</p> 
<p>3.1.5. Do not step on the package and module. 禁止在包装箱和组件上面踩踏。</p> 	<p>3.1.6. Modules shall be stacked as required, not exceeding the maximum number of layers printed on the outer packaging. (no more than two layers). 堆叠组件时请勿超过外包装箱上印刷标志的最高层数限制（最多堆码2层）。</p> 
<p>3.1.7. One module shall be handled by at least two persons together. Modules are placed vertically. 一块组件至少需由2个人同时搬运，组件是竖直放置。</p> 	

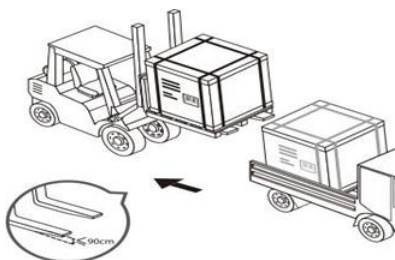
3.2. UNLOADING WARNING 卸货注意事项

3.2.1. When crane is used to unload the modules, please choose and use specialized tooling according to the weight and size of the module. Before lifting, check whether the tray and the carton are damaged and whether the hoisting ropes are strong and firm. Please adjust the position of the sling to keep the modules steady. To ensure the safety of the module, wooden sticks, boards or other fixtures of the same width as the outer packing cases should be used on the upper part of the box to prevent the sling from squeezing the pallet and damaging the modules. When placing the modules, do not lower the packing box too quickly. Two people shall support at the two sides of the righting carton gently to place it on a flat ground. **For vertical landscape packages, do not lift up more than FOUR pallets of modules at once; for vertical portrait packages, do not lift up more than TWO pallet of modules at once. Do not unload modules under the weather conditions of wind more than 6 class (in Beaufort scale), heavy rain or heavy snow.**

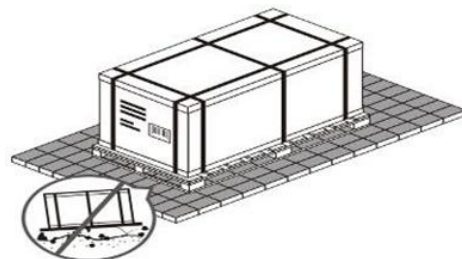
采用吊车卸货时，请使用专用工装，吊装前请根据组件重量和尺寸选用足够拉力的吊装工具。吊装前应确认托盘和纸箱是否有破损及吊装的绳索是否结实、牢固。吊装时请调整吊带位置保持组件重心平稳，应在包装箱的顶部使用与其相同宽度的木板或其他固定装置，防止吊带挤压包装箱，导致组件破损。请匀速操作吊具，吊装接近地面时，两人一人一边扶正纸箱轻轻放在平坦位置上。**横式包装一次性最多吊装 4 托组件，立式包装一次性最多吊装 2 托组件。严禁在风力大于 6 级（蒲福风级）、大雨或大雪的气象条件下吊装光伏组件。**



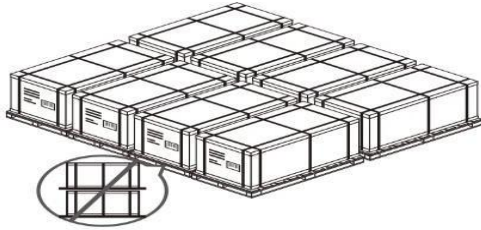
3.2.2. Use a forklift to remove the module pallets from the truck. 请使用叉车将组件从货车上卸下来。



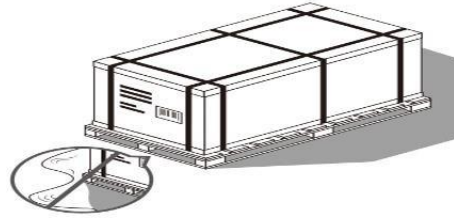
3.2.3. Put the modules on level ground. 将组件放置于水平地面上。



3.2.4. Do not stack the modules at the project site. 禁止在项目地将组件堆码。



3.2.5. Store the module in a dry and ventilated place. 将组件放置在通风干燥处。

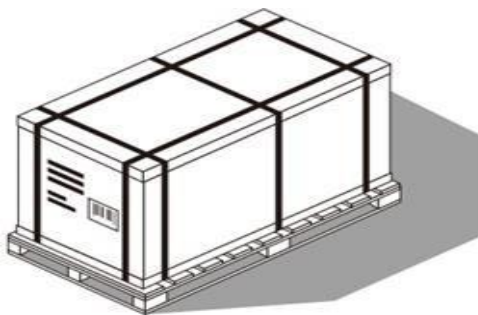


3.2.6. Cover the module with waterproof material to prevent it from moisture. 使用遮雨布盖住组件，防止组件受潮。



3.3. SECONDARY TRANSPORT AND WARNING 二次运输及注意事项

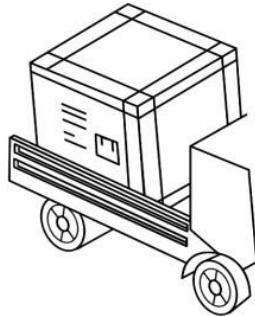
3.3.1. Do not remove the original packages if the modules require long-distance transport or long-term storage. 如果组件需长途运输或长期存储，请不要拆除原包装。



3.3.2. Packaged products can be transported by land, sea or air. During transportation, make sure that the package is fixed securely to the shipping platform without movement. Do not Stack more than two layers on truck. 包装完的成品可以通过陆运、海运、或空运进行运输。在运输过程中：请将包装箱固定在运输平台上，确保包装不会翻滚。正常卡车运输时，最多2层叠加后运输。（以陆运为例）



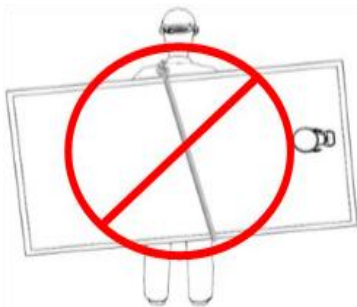
3.3.3. Only one layer stacking is only allowed for transport at the project site. 项目现场托运, 只允许 1 层运输。



3.3.4. No transport or handling by pedi-cab or improper vehicle as shown below. 禁止三轮车, 马车或其他不合理车辆转运。



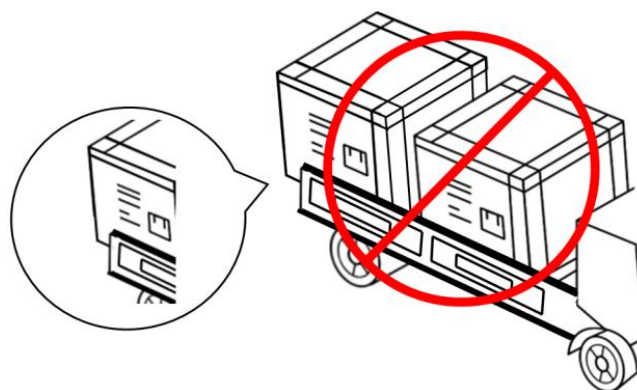
3.3.5. Do not transport the module with rope as shown below. 禁止用绳子背组件。



3.3.6. Do not carry the modules on the back of one person as shown below. 禁止单人背组件。



3.3.7. Do not allow pallets to exceed the loading area of the transport vehicle. 禁止托盘超出运输车辆的装载区。



3.4. VERTICAL PACKAGE UNPACKING METHOD 竖直包装拆包方案

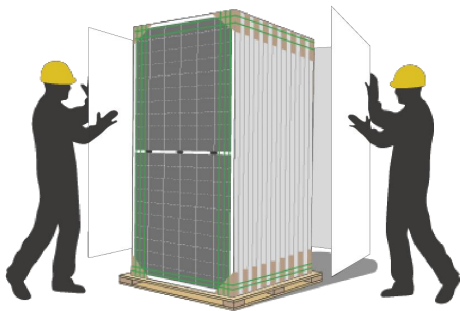
3.4.1. Cut the strapping and remove the tangles. 剪断打包带并去除缠绕。



3.4.2. Remove the top cover and unpack the sealer. 移除上盖，拆开封箱胶。



3.4.3. Remove the carton. 移除纸箱。



3.4.4. Insert the unpacking bracket from the glass side of the assembly to the bottom of the tray. 将拆箱靠架从组件玻璃面插入托盘底部。



3.4.5. Cut all horizontal strapping. 剪断所有横向打包带。



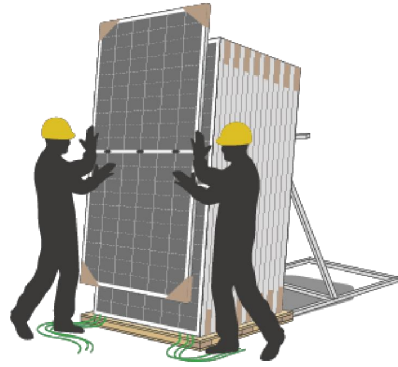
3.4.6. Slowly push to tilt the module towards the frame when there are 1-2 vertical straps left. 剩余 1-2 根竖向打包带时，缓慢推动组件向靠架倾斜。



3.4.7. Cut the remaining strapping so that the assembly rests on the cushion. 剪断剩余打包带，使组件靠在靠架上。



3.4.8. Moving modules in sequence. 按照顺序搬运组件。



3.5. STORAGE 存储

(1). Do not remove the original packaging if the module requires long-distance transport or long-term storage. 如果组件需要长途运输或长期存储，请不要拆除包装。

(2). Do not expose the modules to rain or moisture. Store the finished product in a well ventilated, waterproof, dry and smooth place. 禁止淋雨或者受潮，请将包装的成品置于通风、防雨、干燥及平整的地方。

(3). Do not stack modules more than 2 layers for vertical landscape packages. Do not stack modules more than 1 layer for vertical portrait packages. (moisture < 85%RH, temperature range from -40°C to + 50 °C) 横式包装组件最多堆码 2 层，立式包装组件最多堆码 1 层。(湿度 < 85%RH ;温度 : -40°C ~ +50°C)

(4). The module must be installed as soon as possible in the project site and must not be exposed to rain or damp. Hanersun shall not be responsible for any damage or collapse of the modules caused by moisture in the packaging. 到项目地组件应尽快安装，禁止暴露在雨水和潮湿环境中，如因为包装受潮导致组件破损、倒塌等问题，汉伏能源不承担责任。

(5). For long-term storage, it is recommended to store the modules in a standard warehouse with regular inspection, and under confirming of your personal safety, reinforce the package in a timely manner if any anomalies are found. 组件长期存储建议存储在标准仓库中，定期巡检，一旦发现倾斜异常请在保证人身安全情况下及时加固处理。

(6). If you need to store the modules in the project site, do not choose soft ground and the ground that is easy to collapse, should choose a hard ground or a higher ground with flat surface to ensure the

module packages not collapsing and tilting for long-term storage. 仓库的货架要有足够的承载能力和存放空间，定期巡检确保货物存放安全。如果需要在项目地存储组件，禁止选择松软、容易塌陷的地面，应选择硬质地面或地势较高的地面并对地面进行整平，保证组件长期存放不塌陷、不倾斜。

(7). Do not allow unauthorized persons to access the module storage area. 禁止未授权的人员接近组件存储区域。

(8). Do not leave modules unsupported or unsecured. 禁止将组件置于无可靠支撑或未固定的环境下。

(9). The modules should be centrally stored and it is recommended to keep the distance between the pallets within 10cm. 组件尽量集中存放，建议保持托盘间距在 10cm 之内。

4. UNPACKING SAFETY 拆包安全

(1). For unpacking outdoors, it is prohibited to operate in rainy conditions. Because the carton will become soft and damaged after it gets wet in the rain. The stacked PV modules (hereinafter referred to as "modules") may tip over, which may cause damage or injury to personnel. 在户外拆包时，禁止在雨中作业。因为外包装纸箱会受潮而变软或者损坏，包装箱里的组件有可能会发生倾斜，倾倒将导致组件损坏以及人员伤害。

(2). For a windy site, it is necessary to pay special attention to safety. Especially, it is not recommended to transport or unpacking the modules in high wind conditions. The unpacked modules must be tied down to avoid any unwanted movement. 在有风的情况下，需要更加关注现场的安全管理，特别是在强风环境下，汉伏能源不建议在这种环境下运输及拆卸组件。已经拆包的组件需要采取恰当的方式固定起来。

(3). The work surface is required to be level to ensure that the package can be placed stably, avoiding sliding. 作业地面需要保证包装箱能够水平稳定的放置，避免倾倒。

(4). Wear protective gloves during unpacking to avoid hand injury and fingerprints on the glass surface. 拆包时，请佩戴劳保手套以避免手受伤，同时确保不会在组件玻璃表面留下手指印。

(5). Each module shall be handled by two persons. It is forbidden to pull the wires or junction boxes and frame of the modules to carry the module. 每块组件需要 2 个人抬，抬组件时，禁止拉扯接线盒及边框。

(6). If all the modules are not taken out after unpacking, the remaining modules shall be placed horizontally and repackaged to prevent them from tipping. When packaging, please note that the glass side of the bottom module should face up, the glass side of the middle modules should face

down, and the glass side of the top module should face up. Stacks of modules should contain no more than 16 modules, and the frames should be aligned. 如果拆包后没有将组件全部取出，则将剩余的组件水平放置后重新打包，防止倾倒。（打包时，最下层组件玻璃面朝上，其他组件的玻璃面朝下，最上层的组件需玻璃面朝上放置）。组件的最大堆叠数量不超过 16 片。

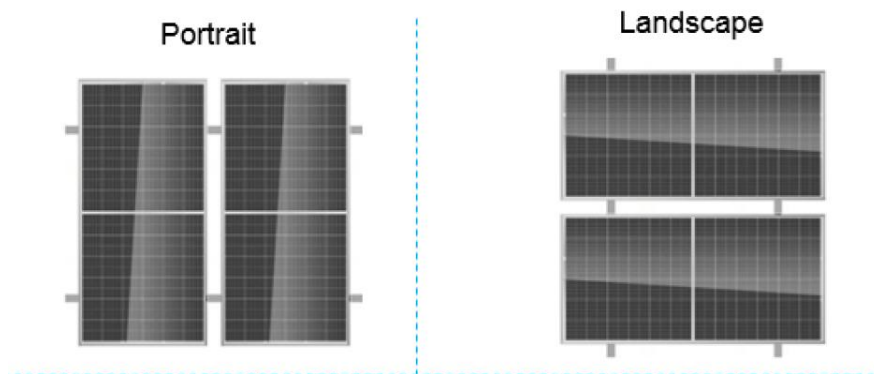
In addition to the above points for attention, consider professional on-site unpacking, exception handling rules, please refer to Hanersun “Spec. for PV Module Unloading, unpacking and Secondary Transferring”. 除以上注意事项外，考虑专业性现场拆包、异常处理细则，请参考汉伏能源《光伏组件卸货、拆包、二次转运规范》。

5. INSTALLATION 安装

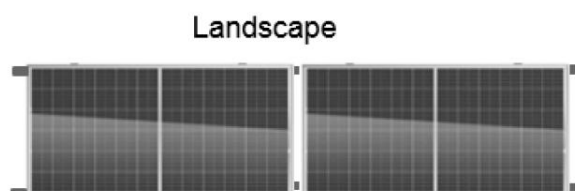
5.1. INSTALLATION SAFETY 安装安全

(1). Hanersun modules can be mounted in landscape or portrait orientation, the impact of dirt shading the solar cells can be minimized by orienting the product in landscape. Please pay attention that the modules can only be installed on vertical racking not horizontal racking when customers choose landscape mode. 汉伏能源的太阳能组件可以横向或纵向安装，采用横向安装的方式可以使灰尘对太阳能电池板的遮光影响最小化。横装时组件可以共用垂直方向的支架，但不能共用同一根水平方向安装的支架。

Installation of framed module with fixtures on long sides



Installation of framed module with fixtures on short sides



(2). Always wear dry insulation protection equipment: insulated tools, head gear, insulated gloves, safety belt and safety shoes (with rubber soles). 请使用干燥的绝缘防护措施：如绝缘工具、安全帽、绝缘手套、安全带和安全鞋（橡胶底）。

(3). Make sure flammable gasses are not generated or present near the installation site. 请确保安装地点附近，不会有或者不会产生可燃性气体。

(4). Do not install modules under rain, snow or windy conditions. Place disassembled PV modules correctly. 请勿在下雨、下雪或大风的情况下安装组件，并将已拆包组件进行妥善安置。

(5). Keep the PV module packed in the carton until installation. Please install immediately after unpacking. Please keep the connector dry and clean during installation to avoid the risk of electric shock. Do not perform any work if the terminals of PV module are wet, until they are dry. 安装的时候再把组件拆包。请在开箱后立即安装，安装时请保持连接器干燥清洁，以免触电风险。如果光伏组件的连接器端子潮湿则禁止安装，直至干燥后方可安装。

(6). Please take measures to insulate during PV module installation and wiring. 在光伏组件安装和布线期间，必须进行绝缘防护。

(7). Do not touch the junction box and the end of the interconnect cables (connectors) with bare hands during installation or under sunlight, regardless if the PV module is connected to or disconnected from the system. 不管组件是否连接到光伏系统，在安装过程或有光照射在组件上时，请不要裸手接触接线盒及公母接头。

(8). During installation, if PV modules are touched by bare hands, there is a risk of scalding or electric shock. 在安装过程中，避免裸手触摸组件，会有烫伤或者电击的危险。

(9). Do not hit or put excessive load on the front or back of PV modules, this may break the cells or cause microcracks. 不要在组件的正面或背面放过重的物体或者进行撞击，这可能会损坏电池片或者造成电池片隐裂。

(10). Do not unplug the connector if the system circuit is connected to a load. 如果系统电路与负载接通，请不要拔下连接插头。

(11). Do not stand on the module glass. There is a risk of injury or electric shock if glass is broken. 不要站在玻璃上，以免玻璃破碎造成伤害或引发触电危险。

(12). Do not work alone (always work as a team of 2 or more people). 不要单独工作（一直保持由2个或更多的人组成团队工作）。

(13). Do not damage the back sheet of PV modules when fastening the PV modules to a support with bolts. 在通过螺栓将光伏组件紧固到支架上时，不要损坏光伏组件的背板。

(14). Do not drill holes in the frame. It may cause corrosion of the frame or PV modules burst. 不要在组件的边框上进行钻孔，可能会引起边框腐蚀以及组件爆裂。

(15). Do not damage the surrounding PV modules or mounting structure when replacing a PV module. 更换光伏组件时，不要损坏周围的光伏组件或安装结构。

(16). Cables should be fixed in the area not exposed to direct sunlight to prevent cables aging. 电缆应固定在不受阳光直射区域，防止电缆老化。

(17). Protective measures must be taken in the process of installation to avoid force extrusion or impact on the modules. 安装时采取防护措施，以避免组件受到外力挤压或撞击。

(18). The open area should minimize arc coil, which can reduce the risk of induced lightning impact on PV module. 开阔的区域应尽量减少电弧线圈，以减少雷电对光伏组件的影响。

(19). When installing modules on roof mounted structures, please try to follow the "from top to bottom" and/or "from left to right" principle, and don't step on the module. This will damage the module and would be dangerous for personal safety. 对于 BIPV 或是安装在屋顶的结构，请尽量遵循“从上到下”和/或“从左到右”的安全原则，请不要站到组件上面去，因为那样会损坏组件，也会对人身安全造成危险。

(20). The design loading of modules have been evaluated by TUV according to IEC61215 with 1.5 times safety factor; The mechanical load bearing is dependent upon the mounting methods used and failure to follow the instructions of this manual may result in different capabilities to withstand snow and wind loads; the system installer must ensure that the installation methods used meet these requirements and any local codes and regulations. 根据 IEC61215, TUV 已经对组件进行了设计载荷评估，安全系数 1.5 倍；机械承载取决于所用的安装方法，未能遵循本手册说明可能会导致承受雪和风荷载的变化。系统安装人员必须确保所使用的安装方法符合这些要求和任何当地的法律法规。

(21). We recommend that you insure your solar system against natural hazards (e.g. against lightning strikes). 我们建议你为你的太阳系投保以防止自然灾害（例如雷击）。

5.2. ENVIRONMENT CONDITIONS AND SITE SELECTION 环境条件与安装地址选择

Hanersun module should be installed in the following environmental conditions. 适用于汉伏能源太阳能光伏组件安装的环境条件如下：

Table 5-1 operation condition
表 5-1 组件操作和工作环境

NO 序号	Environmental conditions 环境条件	Range 范围
1	Ambient temperature 环境温度	-40°C ~ +40°C
2	Storage temperature 存储温度	-40°C ~ +50°C
3	Humidity 湿度	< 85RH%

Remarks: The working environment temperature is the monthly average maximum temperature and minimum temperature of the installation site. The mechanical load bearing capacity of the solar PV modules determined based on the installation method. The professional solar PV system installer must be responsible for calculating the solar PV system machinery when designing the solar PV system load bearing capacity. **备注：**该工作环境温度为安装地点月平均最高温度和最低温度。太阳能光伏组件所能承受的机械载荷是由安装方式来决定的，在光伏系统设计时，机械载荷能力的计算，需要专业的系统安装商来负责进行设计。

If you are planning to use the PV modules where the water damage (Humidity: > 85RH%) may be possible, please consult with Hanersun technical support firstly to determine an appropriate installation method, or to determine whether the installation is possible. 如果您计划在可能出现水渍侵害的地方（湿度：> 85RH%）使用光伏组件，请先向汉伏能源的技术支持团队咨询以确定合适的安装方法，或确定是否可以安装。

The modules are certified according to the norm IEC 61215 and others for safe operation in moderate climates. The operator needs to consider the effect of the high altitude on the operation of the module, when the modules are installed at high altitude. The maximum altitude allowed for PV Module installation is 2000m. 组件根据 IEC 61215 标准和其他标准进行认证，可在温和气候条件下安全运行。当组件安装在高空时，操作者需要考虑高空对组件运行的影响。光伏组件允许安装的最大海拔为 2000 米。

For most places, Hanersun PV modules should be installed where the sunlight can be maximally acquired throughout the year. In the Northern Hemisphere, the PV modules should typically face south, and in the Southern Hemisphere, the PV modules should typically face north. 对于大多数地方，汉伏能源太阳能光伏组件应该被安装在全年内能够最大限度接受阳光照射的地方。在北半球安装，组件最好朝南，在南

半球安装，组件最好朝北。

When selecting the installation location, avoid areas with trees, buildings, or obstacles because these objects will form shadows on solar PV modules, especially when the sun is at the lowest position on the horizon in winter. The shadow will cause the loss of the output power of the solar photovoltaic system. Although the bypass diode installed in the PV module can reduce this loss to some extent, do not ignore the shadow factor. 选择安装位置时，避免有树木、建筑物或者是障碍物的区域，因为这些物体会在太阳能光伏组件上形成阴影，尤其是在冬季当太阳光处于地平线上最低的位置时。阴影会造成太阳能光伏系统输出功率的损失，尽管太阳能光伏组件装有的旁路二极管可以一定限度的减少这种损失，也不要忽视阴影的因素。

Do not install solar PV modules near fire or flammable materials. Do not install solar PV modules where there is water soaking, sprinkler or water spray. 不要在靠近明火或是易燃易爆物附近安装太阳能光伏组件。不要在有水浸泡、有洒水装置或是喷水装置的地方安装太阳能光伏组件。

Position the modules to minimize the chances of shading at all times of the day. Try to install modules in a location where there is rare shading throughout the year. 对组件进行定位以尽量减少其在一天中任何时间段遮光的可能性。尽量将组件安装在一年中罕有遮阳的位置。

According to IEC 61701, salt mist corrosion testing of photovoltaic (PV), Hanersun PV modules can be installed in corrosive salt areas within proximity of the ocean or sulfurous areas. The module must not be soaked in the water or in the environment (i.e., fountain, spindrift, etc.) where the module would touch water (pure water or brine) for a long term. If the modules are placed in an environment of salt fog (i.e., marine environment) or sulfur (i.e., sulfur sources, volcanoes, etc.), there is a risk of corrosion. It's not recommended to install the modules, when the distance is less than 100m ; and it's recommended to install the modules with the anti-salt function, when the distance is between 100m and 1km. So stainless steel or aluminum materials must be used to contact the PV modules, and the installation position must be processed with anti-corrosion treatment. When modules are installed on land less than 1km away from the sea or in an area where the annual rainfall hours / total annual hours exceed 25%, the connectors are recommended to install waterproof cold shrinkable tubes to prevent the connector from water inlet and corrosion; Silicone rubber is recommended for the material of cold shrinkable tube. 按照 IEC 61701 要求开展的光伏 (PV) 组件盐雾腐蚀试验结果表明，汉伏能源的太阳能组件可以安装在近海或亚硫酸盐区域附近的腐蚀性盐碱地区。组件不得浸泡在水中或长期沾水(纯水或盐水)的环境中(例如喷泉、浪花等)。如果组件置于盐雾(即海洋性环境)或者含硫(即含硫源、火山等)的环境中，会有腐蚀的风险。当距离小于 100m 时，不建议安装组件；当距离在 100m ~ 1km 之间时，建议安装具有防盐雾功能的组件。必须采用不锈钢或者铝材料来与光伏组件接触，并且对安装部位做好防锈蚀的处理。当组件安装在距海不到 1km 的陆地上或年降雨小时数/年总小时数超过 25% 的区域时，连接器上建议安装防水冷缩管，以防止连接器进水和腐蚀；冷缩管材质建议采用硅橡胶。

Table 5-2 Photovoltaic module connector accessories

表 5-2 光伏组件连接器配件

Procedure 步骤	Method 方法	Explanatory Chart 图示
<p>1</p>	<p>After unplugging the photovoltaic connector, take either end and cover the cold shrinkable tube to the connector in the direction shown on the right.</p> <p>将光伏连接器拔开后，取任意一头，将冷缩管按右图方向套到连接器上。</p>	
<p>2</p>	<p>Slide the cold shrinkable tube over the head of the connecting head and expose the head.</p> <p>将冷缩管套过连接头头部，露出头部。</p>	
<p>3</p>	<p>Connect the positive and negative connectors in the correct way.</p> <p>按照正确方式连接连接器正负极。</p>	
<p>4</p>	<p>Move the connection to the middle of the cold shrinkable tube.</p> <p>将连接接口处移至冷缩管中部位置。</p>	
<p>5</p>	<p>Pull the inner ring exposed in the cold shrinkable tube by hand, rotate and pull it out again and again until the inner ring is completely pulled out.</p> <p>用手拉动冷缩管中露出的内圈条，一遍旋转一遍向外拉出，直至内圈完全拉出。</p>	
<p>6</p>	<p>The cold shrinkable tube has completely cold shrinkable seal connectors.</p> <p>冷缩管已完全冷缩密封连接器。</p>	

According to IEC62716 "Ammonia corrosion testing of photovoltaic (PV) modules", Hanersun modules can be safely installed in ammonia-heavy environments, such as farm, meadow and so on. IEC62716. "光伏(PV)组件的氨腐蚀试验"的结果表明,汉伏能源太阳能组件可以安全地安装在像农场、牧场等氨气较重的环境中。

According to the surrounding environment of the project, use the appropriate protective measures to ensure the safety of the module installation and reliable. For example, it needs to have around the windproof measures like design of windbreaks in strong wind area. 根据项目地的周围环境,采用合适的保护措施确保组件安装的载荷可靠和安全,如强风区域,周围需要有防风措施如设计防风林。

The system design needs to have the lightning protection function, it must pay more attention especially in the installation ground where are more lightning strike. 系统设计需要有防雷击功能,特别是在安装地有较多雷击,一定要更加重视。

When installing PV modules on a roof, the roof must be covered with a layer of fireproof material applicable to this class, and adequate ventilation must be ensured between the back of the module and the installation surface. A safe working area also must be left between the edge of the roof and the external edge of the solar array. 当在屋顶上安装太阳能组件时,屋顶上必须要覆盖有一层适用于该等级的防火材料,并且保证组件背面和安装面之间充分的通风,要在屋顶边缘和太阳能阵列的外边缘之间留出安全的工作区域。

In the case of residential installations on the ground, modules must be installed following local regulations, e.g. using fence. 如果住宅设施在地面上,组件的安装应按照当地法规进行,例如安装中需要用到围栏。

5.3. TILT ANGLE OF INSTALLATION 光伏组件安装倾角

The installation of PV module string should be in the same orientation and the same installation angle. Different installation directions and installation angles will lead to the mismatches in current and voltage which is caused by different light absorption of different PV modules, this mismatch will cause the PV system power output loss. 太阳能光伏组件串的安装应该保持同一方位和同一安装角度。不同的安装方位和安装倾角会导致不同的光伏组件串吸收光线总量存在差异而导致的产生的电流和电压不匹配,从而降低系统运行效率,造成功率输出损失。

The largest power will be generated when direct sunlight on solar PV module. For modules which are installed on the fixed brackets, the best installation angle should be selected to ensure the maximum power output can be generated at winter time, if the angle can guarantee enough power output during the winter, it will make the whole solar PV system in the rest of the year can have

enough power output also. 当阳光直射到太阳能光伏组件上时产生的功率最大，对于那些安装在固定支架上的太阳能光伏组件，选择最佳的安装倾角时应考虑冬季的太阳能光伏组件的功率产出，如果该角度能保证光伏组件在冬季有足够的功率输出，那将会使整个太阳能光伏组件体系在一年中的余下时间里也能有足够的功率产出。

Solar modules are recommended to be installed at an optimized tilt angle to maximize the energy output. For detailed information on the best installation angle, please refer to standard solar photovoltaic installation guides or consult a reputable solar installer or systems integrator. Dust building up on the surface of the modules can impair module performance. Hanersun recommends installing the modules with a tilt angle of at least 10° , making it easier for dust to be washed off by rain. Any faults caused by and/or attributable to tilt angle less than 10 degrees are not covered by manufacturer's warranty. It is roughly equal to the latitude of the project site as a rule of thumb, facing toward the equator. Optimized system designs must incorporate other local requirements. 建议通过优化的倾斜角安装太阳能组件以达到能量输出最大化。对于详细的安装角度，请依据标准组件安装指南或者有经验的光伏组件安装商给出的建议。汉伏能源建议组件安装的时候安装夹角不小于 10° ，这样组件在下雨时表面灰尘容易被雨水带走，从而减小组件清洗次数，同时利于组件表面的积水流走，避免长期大量积水在玻璃上留下痕迹，进而影响组件外观性能。任何由倾斜角度小于 10° 引起的故障不包括在制造商的保修范围内。一般来说它大致等同于项目所在地的纬度，面向赤道方向。但在实际设计中还是按照当地具体情况设计并找出最佳倾斜角。

Installation inclination refers to the Angle between the module and the ground plane, as shown in Figure 5-1. 安装倾角是指太阳能光伏组件与水平面之间的角度，如图 5-1 所示。

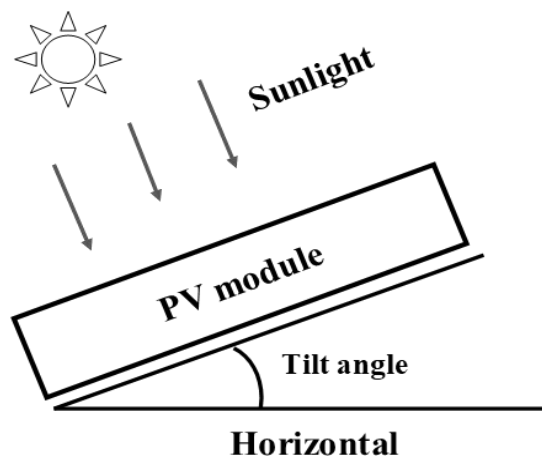


Fig. 5-1 Tilt angle
图 5-1 安装倾角示意图

Table 5-3 Recommended tilt angle for fixed systems

表 5-3 固定系统安装时建议的安装倾角

安装地所处纬度 Latitude	安装倾角 Tilt angle
0° ~ 15°	15°
15° ~ 25°	The same latitude 同安装地所处纬度
25° ~ 30°	Same latitude +5° 安装地所处纬度+5°
30° ~ 35°	Same latitude +10° 安装地所处纬度+10°
35° ~ 40°	Same latitude +15° 安装地所处纬度+15°
40°+	Same latitude +20° 安装地所处纬度+20°

5.4. INSTALLATION METHOD 安装方法

5.4.1. MECHANICAL INSTALLATION AND WARNING 机械安装及注意事项

PV modules can be installed through clamp method. The modules must be installed according to the following examples and recommendations. If a different installation method is desired, please contact Hanersun customer service or technical support team for consultation. Improperly mounted modules maybe damaged. If alternative mounting method is used that has not been approved by Hanersun, the modules will not continue to carry a valid warranty. 光伏组件的固定和安装可以采用压块固定方式。安装组件必须依照下面示例和建议进行，如果安装方式与汉伏能源公司不同，请咨询汉伏能源技术支持或售后，并取得汉伏能源同意，否则会损坏组件并导致质保失效。

Modules shall not be subjected to wind or snow loads which is exceeding the maximum permissible designed loads, and shall not be subjected to excessive forces due to the thermal expansion of the support structures. The selection and design of mounting bracket shall be carried out by professional system engineers after the load calculation according to the climatic conditions of the installation site. Ensure the installation method and supporting system of modules is strong enough to withstand all the load conditions. The Installer must provide this guarantee. The installation supporting system must be tested by the third-party organization with the analysis ability of Static Mechanical,

according to the local national or international standards. 系统设计过程中光伏组件不应承受任何超出最大设计载荷的负荷（如风和雪载荷），同时不应该承受因支架结构的热膨胀而产生的过大的力。根据安装地气候条件由专业系统工程师进行载荷计算，然后对安装支架进行选择和设计。确保组件安装方式和支架系统足够坚固，使得组件能够承受所有预定的载荷条件，这是支架安装商所必须要提供的保证。安装支架系统必须经过有静力学分析能力的第三方测试机构进行检验和测试，采用当地国家或国际标准。

The modules shall be mounted on continuous rails that extend beneath the modules. If modules are mounted without continuous rails, the maximum allowable load will be reduced, which needs to be re-evaluated by Hanersun. 所描述的组件被安装在组件下方延伸的连续支架上。如果组件被安装在没有连续的支架的情况下，其最大允许载荷将会减少，需由汉伏能源重新进行评审。

Please ensure that the modules with the same color cells to be installed together. 在组件安装过程中，建议使用相同色系的组件安装在一起。

A clearance of at least 115mm (recommended) is provided between modules and the surface of the wall or roof. 建议在组件和墙面或屋顶表面之间留有至少 115mm 的间隙。

The minimum clearance between two adjacent modules must not be less than 10mm. 两块相邻组件之间的最小间隙不能小于 10mm。

The module frame drain holes cannot be blocked in any situation during installation or use. 安装或使用过程中，排水孔在任何情况下都不能堵塞。

Always keep the back of the PV module from coming into contact with foreign bodies or support components, which may damage the module when it is subjected to mechanical load. 始终保持组件背部不会接触到异物或支架部件，组件承受机械负载时它们可能会破坏组件。

The module frames will warp at low temperature. Avoid the frame receiving the lateral tension and pressure, causing the frame off or crushing the glass. 组件边框在低温下会有翘曲变形，应避免边框受到侧向拉力和压力，避免边框脱开或挤碎玻璃。

The mounting method must not result in the direct contact of dissimilar metals with the aluminum frame of the module as it will result in galvanic corrosion. IEC 60950-1 standard recommends metal combinations not exceed an electrochemical potential difference of 0.6V. 组件安装方法不能导致组件的铝边框与不同种金属之间发生电化学腐蚀。IEC60950-1 标准建议相接触的金属电化学电势差不能超过 0.6V。

To maximize mounting longevity, Hanersun strongly recommends the use of corrosion proof (stainless steel) attachment hardware. 为最大程度的延长安装寿命，汉伏能源建议使用防腐蚀（不锈钢）固件。

Secure the module in each mounting location with an M8 bolt and a flat washer, spring washer and

nut and tighten to a torque of 16~20N.m. The yield strength of bolt and nut should not be less than 450 MPa. The tightening step is as follows: 使用 M8 螺栓、平垫圈、弹簧垫圈和螺母在每个固定位置固定组件，并拧紧至 16~20N.m 的扭矩。螺栓和螺母的屈服强度应不小于 450MPa。拧紧步骤如下：

a. Use torque wrench to tighten nut to target torque: 16~20N.m; 使用扭矩扳手拧紧螺母至目标扭矩：16~20N.m；

b. Nut loosen 90~180 degrees; 螺母反松 90~180°；

c. Finally tighten the nut to the target torque and reduce the torque attenuation. 最终拧紧螺母至目标扭矩，降低扭矩衰减。

All parts in contact with the modules should use flat stainless steel washers of minimum 1.8mm thickness with an outer diameter of 20-24mm.(Except for Single-axis tracking system) 组件连接的所有部位应采用最小厚度为 1.8mm 且外径为 20-24mm 的扁平不锈钢垫圈（单轴跟踪系统除外）。

Flat stainless steel gaskets with a minimum thickness of 1.5mm and an external diameter of 16-20mm shall be used in all parts of the components connected to the single-axis tracking system. 与单轴跟踪系统连接的组件的所有部位应采用最小厚度为 1.5mm 且外径为 16-20mm 的扁平不锈钢垫圈。

The installation method listed below are for your reference only, the PV system installer or the trained professionals should take the responsibility of the PV system design, mechanical load calculation, install, maintenance and safety, Hanersun will not supply the related material for system installation. 以下列出的安装方法仅供参考，系统安装商或经过训练的专业人士必须要对光伏系统的设计，机械载荷计算、安装、保养和安全负责，汉伏能源不提供相关的安装材料。

Tools: screwdriver, wrench, stainless steel screw/bolt, clamp, nut and spring washer, plain washer.

安装工具：螺丝刀、扳手、不锈钢螺丝/螺栓、压块、螺帽和弹簧垫圈、平垫圈。

Mounting with Clamps 夹具安装

Hanersun has tested its modules with a number of clamps from different manufacturers, it is recommended to use fixing bolt of at least M8. The length of clamp ≥ 60 mm, thickness ≥ 3 mm. The clamp shall not be malfunctioned due to deformation or corrosion during the loading process. If the customer needs a different size of clamps, it should be fully evaluated and approved by Hanersun. 汉伏能源在用多家制造商的不同夹具测试过其组件后，建议使用至少可以固定 M8 螺栓的夹具。夹具长度 ≥ 60 mm，厚度 ≥ 3 mm。务必确保在组件整体受载过程中，夹具不会因变形或腐蚀失效。如果客户需要其他尺寸的压块，需由汉伏能源进行充分评估。

The clamp must overlap the module frame by at least 7mm but no more than 10mm. 夹具必须与组

件边框保持至少 7mm，但不超过 10mm 的重叠部分。

Use at least 4 clamps to attach modules to the mounting rails. 至少使用 4 个夹具将组件固定在安装导轨上。

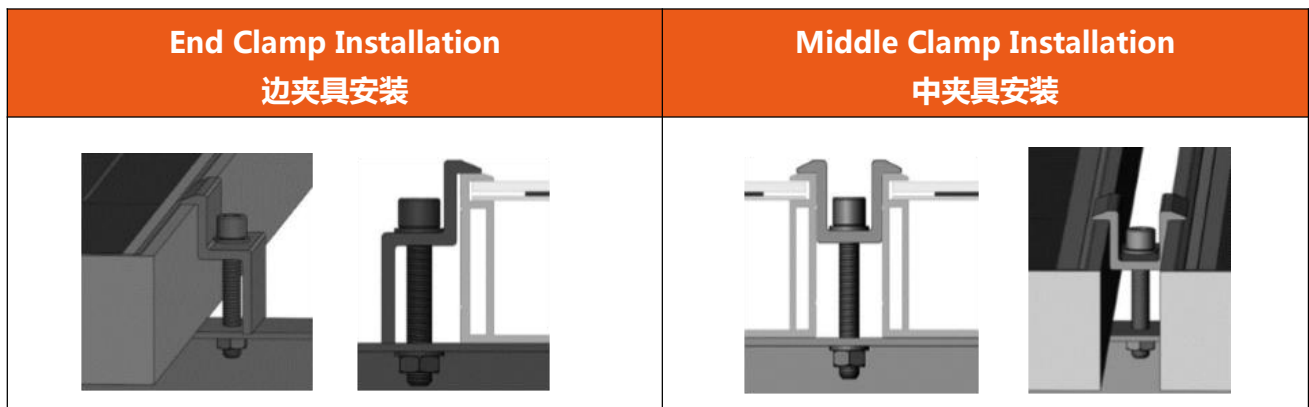
Modules clamps should not come into contact with the front glass and must not deform the frame. 组件夹具不能和前侧的玻璃接触，且不得使边框变形。

Be sure to avoid shadowing effects on the solar cells from the module clamps. 请务必避免组件夹具的遮光效应。

The module frame is not to be modified under any circumstances. 组件边框在任何情况下都不能调整。

When choosing this type of clamp-mounting method, use at least four clamps on each module, two clamps should be attached on each long sides of the module (for portrait orientation). Depending on local wind and snow loads, additional clamps may be required to ensure that modules can bear the load. 当选择这种类型的夹具安装方法时，每个组件上至少需要使用四个夹具。在组件的每个长边（纵向）上各安装两个夹具。视当地的风雪气象情况确定是否需要额外的夹具以确保组件能承受负载。


Applied torque should refer to mechanical design standard according to the bolt customer is using, ex: M8 16-20N.m. 施加的扭矩应按照客户所用螺栓的机械设计标准来定，例如：M8 16~20N.m。



$$\text{Maximum Test Load} = 1.5 (\text{Safety factor}) \times \text{Design load}$$

Module 组件	Mechanical Loading Test 机械载荷测试	Safe Factor 安全系数	Mounting Direction 安装图
<p>Long Side Length≤ 2400mm</p>	<p>正面载荷 ≤3600Pa 背面载荷 ≤1600Pa Front side≤3600Pa Back side ≤1600Pa</p>	<p>1.5</p>	<div data-bbox="858 667 1358 1077" data-label="Diagram"> </div> <p data-bbox="863 1144 1315 1178">$A=1/4L\pm 50\text{mm}$; $L=\text{Module length}$</p> <p data-bbox="810 1196 911 1225">*NOTE:</p> <ol data-bbox="810 1263 1433 1720" style="list-style-type: none"> <li data-bbox="810 1263 1433 1346">1. The crossbeam is perpendicular to the long side frame. 横梁与组件长边垂直。 <li data-bbox="810 1379 1433 1559">2. The above described distance is from the module edge to the middle of the clamp. Clamps length $\geq 60\text{mm}$. 所述距离为组件边缘到夹具中心的距离。夹具长度$\geq 60\text{mm}$。 <li data-bbox="810 1592 1433 1720">3. Need two support rails below the PV module to make sure the Mechanical load. 组件下面需要两个支撑轨，以确保机械载荷。

<p>Short Side Length ≤ 1400mm</p>	<p>正面载荷 ≤3600Pa 背面载荷 ≤1600Pa Front side ≤3600Pa Back side ≤1600Pa</p>	<p>1.5</p>	<div data-bbox="858 501 1374 770" data-label="Diagram"> </div> <p>$A2 = 1/4L \pm 50\text{mm}$; $L = \text{Module Short Side length}$</p> <p>*NOTE:</p> <ol style="list-style-type: none"> 1. The crossbeam is parallel to the long side frame. 横梁与组件长边平行。 2. The above described distance is from the module edge to the middle of the clamp. Clamps length $\geq 60\text{mm}$. 所述距离为组件边缘到夹具中心的距离。夹具长度$\geq 60\text{mm}$。 3. Need two support rails below the PV module to make sure the Mechanical load. 组件下面需要两个支撑轨，以确保机械载荷。
-------------------------------------------	----------------------------------------------------------------------------------------	------------	---------------------------------------------------------------------------------------------------------------------------------------------------------------------------------------------------------------------------------------------------------------------------------------------------------------------------------------------------------------------------------------------------------------------------------------------------------------------------------------------------------------------------------------------------------------------------------------------------------------------

<p>Corner clamping</p>	<p>正面载荷 ≤1067Pa 背面载荷 ≤1067Pa</p> <p>Front side ≤1067Pa Back side ≤1067Pa</p>	<p>1.5</p>	<div style="text-align: center;">  <p>L ≥ 60mm</p> </div> <p>*NOTE:</p> <ol style="list-style-type: none"> 1. The crossbeam is parallel to the long side frame. 横梁与组件长边平行 2. The above described distance is from the module edge to the middle of the clamp. Clamps length ≥ 60mm. 所述距离为组件边缘到夹具中心的距离。夹具长度 ≥ 60mm 。
------------------------	--------------------------------------------------------------------------------------	------------	--------------------------------------------------------------------------------------------------------------------------------------------------------------------------------------------------------------------------------------------------------------------------------------------------------------------------------------------------------------------------------------------------------------------------------------

***NOTES:**

The load is an empirical value of a standard module based on a standard installation mode, and the specific information shall be consulted by Hanersun. 所述载荷为标准组件基于标准安装方式下的经验值，具体信息还需咨询汉伏能源。

Other mounting configurations can be used. However, failure to comply with the above recommendations will result in a lowering of the load handling capabilities below the empirical value, and product failure as a result of an overload situation will not be covered by the Hanersun warranty. 可以使用其他安装配置，但不遵守上述建议将会导致组件载荷能力低于经验值，产品因过载失败不会享受汉伏能源质保。

5.4.2. ELECTRICAL INSTALLATION 电气安装

(1). Cable layout 布线方式

The recommended vertical installation connection methods for module with split J-Box are as

follows (The extension cable is required). 推荐竖装连线方案示意图如下 (需要延长电缆线)。

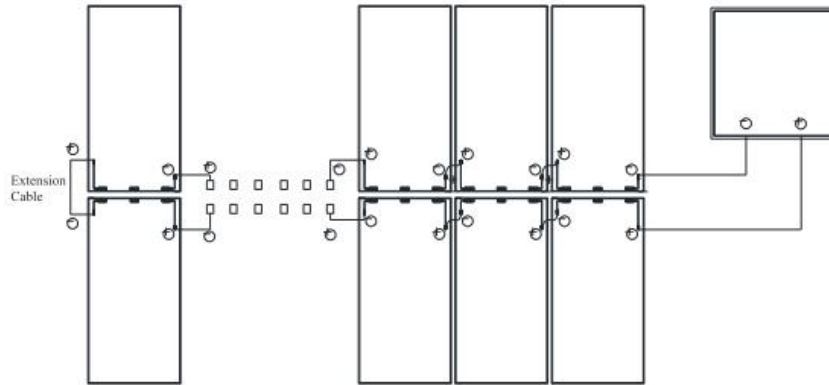


Fig. 5-2 Split J-Box at module side position for vertical direction

图 5-2 接线盒在边缘的垂直安装方式

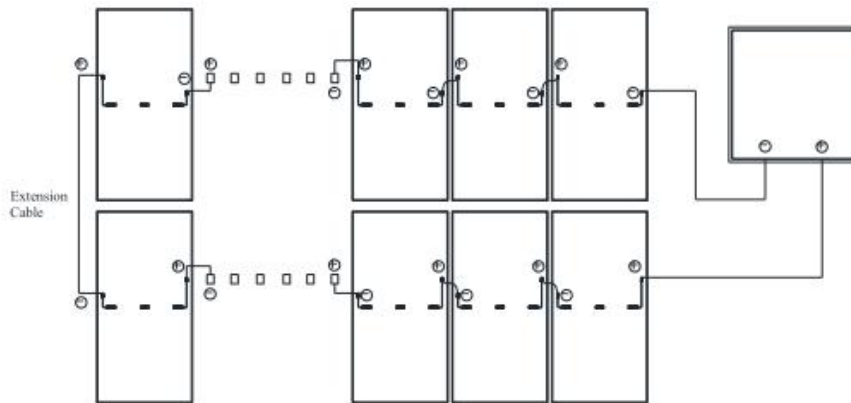


Fig. 5-3 Split J-Box at module middle position for vertical direction

图 5-3 接线盒在中间的垂直安装方式

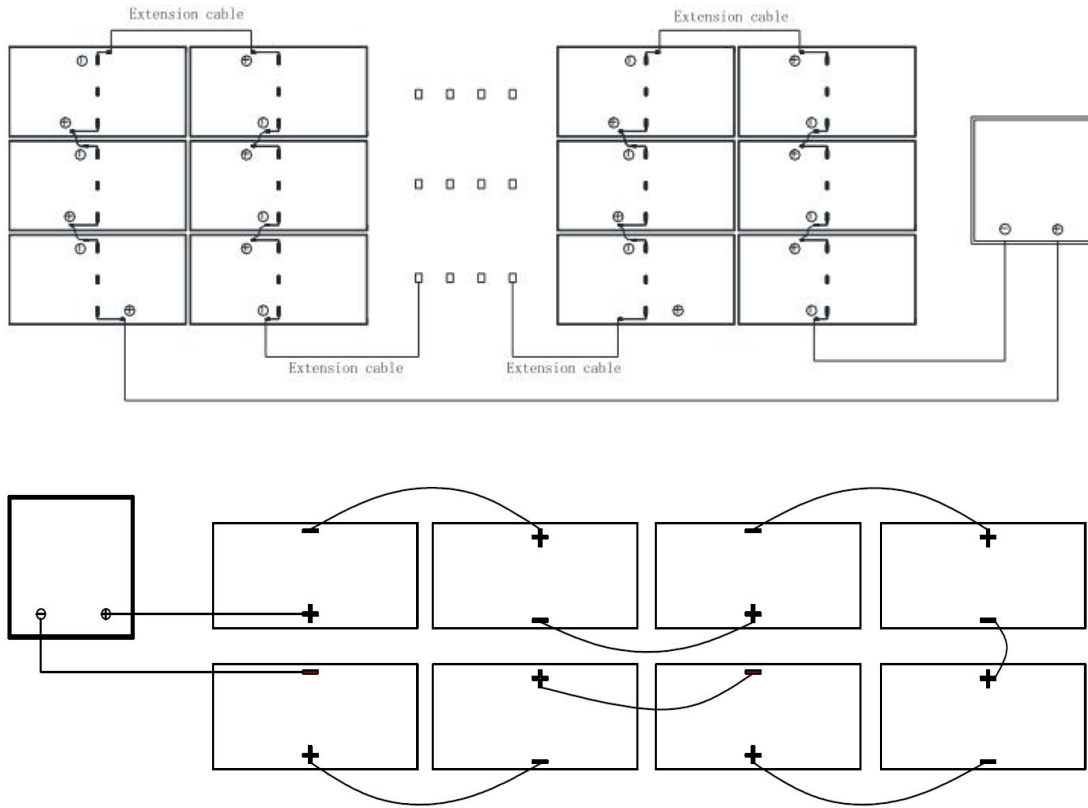


Fig. 5-4 Split J-Box at module middle position for horizontal direction

图 5-4 接线盒在中间的水平安装方式

Precautions: To minimize risk in the event of an indirect lightning strike, avoid forming loops when designing the system. In order to avoid bad or damaged connection of the cable and connector, the cable and junction box caused by human factors, affecting the electrical safety or service life of the product, it is recommended that the force applied between the cable and connector, cable and junction box shall not be greater than 60N during the installation, dismantling, maintenance and any other related process of the product.

安装需注意事项：为了将间接雷击的风险降到最低，在设计系统时应避免形成回路。为避免人为因素造成线缆与连接器、线缆与接线盒连接不良或损坏，影响产品电气安全或使用寿命，建议产品在安装、拆卸、维护及任何其它相关过程中，施加在线缆和连接器、线缆和接线盒之间的作用力不得大于 60N。

Pay attention to the direction of the wire when installing the modules. It should be connected along the wire direction to avoid bending the wire. 注意组件安装时的导线方向，应顺着导线方向连接，避免导线折弯。

(2). Electrical Connection 连接

The Direct Current (DC) generated by the PV system can be converted to Alternating Current (AC) and connected to the public power grid. Different regions may have different policies, laws and regulations to stipulate the installation and grid-connection requirements of PV systems. Therefore, during the design, installation and grid-connection of PV system, please comply with the local policies, laws and regulations. 光伏系统产生的直流电可以转换成交流电，并与公共电网相连。不同地区可能有不同的政策和法律法规来规定光伏系统的安装要求和并网要求，因此在光伏系统的设计、安装和并网过程中，请遵守当地政策和法律法规要求。

PV modules can obtain different current and voltage outputs through series connection and parallel connection. Read this installation manual carefully before electrical connection and installation. Please design and connect according to the current and voltage required by customers. Before connection, please ensure that the connection part is free from corrosion, and keep it clean and dry. 光伏组件通过串联和并联的连接方式可以获得不同的电流和电压输出，在进行电气连接和安装前，请仔细阅读本安装手册，并依据客户所要求的电流和电压进行设计和连线。连接前请确保连接部分无腐蚀，保持清洁和干燥。

Different types of modules cannot be connected in series. Modules connected in series should ensure the consistency of their current (for the rest of modules with different current classes, the modules with adjacent current class can be installed in one given string.). The voltage of the module string should not exceed the allowable system voltage value, which can be found on the nameplate or datasheet of the module. 不同类型的组件产品不能串联在一起，串联在一起的组件产品要保证其电流的一致性（关于尾装的不同电流分档的组件，相邻电流分档的可安装在一个组串内。）。组件串电压不能超过所允许的组件系统电压值，该电压值可以在组件的铭牌或者规格书里找到。

The standard copper cables applied in Hanersun modules are UV resistant and with a cross-sectional area of $\geq 4 \text{ mm}^2$ (12 AWG). All other cables used to connect the DC system should have a similar (or better) specification. 汉伏能源的光伏组件采用截面积 $\geq 4\text{mm}^2$ 且防紫外的光伏专用电缆。用于连接直流系统的所有其他电缆应具有相似（或更高）规格。

The maximum number of modules in series depends on the system design, the type of converter used and the environmental conditions. In general, the maximum number (N) of PV modules in series can be calculated by dividing the maximum system voltage by the open circuit voltage of the relevant solar PV modules. When designing the solar PV system, it is necessary to take into account the characteristic that the voltage of the solar PV module changes with the temperature. Considering the voltage increase caused by temperature drop in extreme environment in winter, the maximum series connection number of solar PV modules can be calculated by the following formula. 串联组件的最大数目取决于系统设计、所用变频器的类型和环境条件。通常情况下，最大的串联太阳能光伏组件数量（N）可以通

过系统最大电压除以相关太阳能光伏组件开路电压的方式计算而获得，但是在设计太阳能光伏系统时，一定要考虑到太阳能光伏组件的电压随着温度变化而变化的特性。考虑到冬季里极端环境下温度下降造成的电压升高，太阳能光伏组件最大串联数量可以使用以下公式计算：

Table 5-4 maximum series connection number calculation

Table 5-4 串联最大数量计算

Formula 公式	Maximum system voltage $V \geq N \cdot V_{oc} \cdot [1 + \beta \cdot (T_{min} - 25)]$ 最大系统电压 $V \geq N \cdot V_{oc} \cdot [1 + \beta \cdot (T_{min} - 25)]$
V	Maximum system voltage 最大系统电压
N	The number of maximum solar PV modules in series 能串联在一起的组件的最大数量
V_{oc}	The open circuit voltage of each module (see product label or datasheet) STC 条件下组件的开路电压（可以查看组件的标签或者规格书）
β	Temperature coefficient of open circuit voltage of the module (refer to datasheet) 组件的开路电压的温度系数（请参考组件的规格书）
T_{min}	The lowest ambient temperature at installation site 组件安装地的最低环境温度

The number of modules that can be connected shall be determined by a qualified institution or person in accordance with the design specifications of the photovoltaic system and the local electrical design specifications. The calculation formula recommended by Hanersun shall be for reference only. 具体所能连接的组件数量，应按照安装地的光伏系统设计规范、电气设计规范，由具备设计资质的机构或人员确定，汉伏能源所建议的计算公式仅供参考。

If the modules are allowed to be installed in parallel electrically, each module (or series string of modules so connected) shall be provided with the maximum series fuse as specified. For applications requiring high currents, several photovoltaic modules can be connected in parallel; the total current is equal to the sum of individual currents, each module (or series string of modules so connected) shall be provided with the maximum series fuse as specified. The recommended number of module in parallel is only one. The modules' electrical performance in a system is the same. When connected in series, all modules must have the same amperage. When connected in parallel, the modules must all

have the same voltage. Connect the quantity of modules that match the voltage specifications of the devices used in the system. The modules must not be connected together to create a voltage that is higher than the permitted system voltage. 如果允许组件并联安装，则每个组件(或串联的组件串)应按规定配置最大串联保险丝。对于需要大电流的应用，多个光伏组件可以并联；总电流等于各电流之和，每个组件(或串联的组件串)应按规定配置最大串联保险丝。推荐的组件并联数只有一个。组件在系统中的电气性能是相同的。串联时，所有组件必须具有相同的安培数。当并联时，所有组件必须具有相同的电压。连接组件的数量与系统中使用的设备的电压规格相匹配。组件不能连接在一起以产生高于允许的系统电压的电压。

Product can be irreparably damaged if an array string is connected in reverse polarity to another. Always verify the voltage and polarity of each individual string before making a parallel connection. If you measure a reversed polarity or a difference of more than 10V between strings then check the string configuration before making the connection. 如果一组阵列以相反极性连接到另一个，则会对产品造成无法修复的损坏。在进行并联之前，请务必确认各列的电压和极性。如果测量发现各列之间的极性相反或电压差值大于 10V，则在连接之前检查其结构配置。

Before wiring the module, ensure that the contact points are corrosion resistant, clean and dry; If a string of modules is reversed, irreparable damage can be caused. 在组件布线之前，请确保接触点是耐腐蚀、清洁和干燥的；如果一个组件串正负极反接，可能会造成无法弥补的损害。

Each Hanersun PV module has two PV cables which can withstand 85°C temperature and they are sunlight resistant(UV). The cross-sectional area of the cable is 4mm² or 12AWG, and the external diameter is 5mm ~ 7mm. The minimum bending radius of the cables must be 43mm. Any cable damage caused by bending too much or cable management system is not covered under Hanersun's warranty. Plug & Play connectors are included at the end of each cable. All other cables used to connect the direct current system shall have similar (or higher) specifications, and should have the suitable insulation ability which can suffer the possible maximum system V_{oc} (as defined in TUV 2PfG1169 or EN50618 (H1Z2Z2-K)). Hanersun requires all cables and electrical connections to comply with the electrical regulations of the countries where the PV system is installed. 汉伏能源的每块太阳能光伏组件都有两根可以承受 85°C 的温度以及抗日照的标准 PV 导线电缆，其导电芯截面积为 4mm² 或 12AWG，导电线的外部直径为 5mm ~ 7mm。电缆的最小弯曲半径应为 43mm。因过度弯曲或电缆管理系统造成的损坏不包括在汉伏能源的保修范围内。每根导线端点都带有即插即用的连接器。用于连接直流系统的所有其他电缆应具有相似（或更高）规格。同时具备适当的绝缘性能以便承受可能的最大系统开路电压（如 TUV、2PfG1169 或者 EN50618（H1Z2Z2-K）批准）。汉伏能源要求所有接线和电气连接符合该光伏系统安装地各国电工法规的规定。

All electrical performance parameters were obtained under standard test conditions (1000W/m², 25±2°C, AM 1.5, according to IEC 60904-3). The tolerances of I_{sc} , V_{oc} and P_{mpp} are ±3%. They can be

found on the product label and in the product data sheet. 所有电性能参数是在标准测试条件下获得的 (1000W/m², 25±2°C, AM1.5, 根据 IEC 60904-3)。I_{sc}、V_{oc} 和 P_{mpp} 的公差为±3%。它们可以在产品标签和产品规格书中找到。

Temperature coefficient for voltage at open-circuit; (refer to data sheet) V_{oc} 温度系数请参考规格书 ;

Temperature coefficient for short-circuit current; (refer to data sheet) I_{sc} 温度系数请参考规格书 ;

Temperature coefficient for maximum power. (refer to data sheet) P_{mpp} 温度系数请参考规格书 ;

Under normal conditions, a PV module is likely to experience conditions that produce higher current and/or voltage than reported at standard test conditions. Accordingly, the values of I_{sc} and V_{oc} marked on this PV module should be multiplied by a factor of 1.25 at least when determining component voltage ratings, conductor current ratings, and size of controls (e.g. inverter) connected to the PV output. 在正常情况下, 组件可能会遇到产生比标准测试条件下更高的电流或电压的情况。因此当确定组件额定电压、导体额定电流和连接到 PV 输出的控制装置(如逆变器)的尺寸时, 标记在此组件上的 I_{sc} 和 V_{oc} 的值最低应乘以 1.25 的系数。

When selecting a cable, the minimum current-carrying capacity of the cable can be calculated by the following formula. 在选择电缆时, 电缆的最小载流容量可以通过下面这个公式来计算。

Minimum current-carrying capacity of the cable = 1.25 * I_{sc} * N_p

电缆最小载流容量 = 1.25 * I_{sc} * N_p

I_{sc}: short-circuit current of PV module (unit: A)

I_{sc}: 光伏组件的短路电流 (单位: A)

N_p: the number of modules in parallel or module strings

N_p: 并联的组件数量或者组件串数量

To ensure proper system operation the correct cable connection polarity (Figures 1 & 2) should be observed when connecting the modules to each other or to a load, such as inverter, a battery etc. If modules were not connected correctly, the bypass diodes could be destroyed. PV modules can be wired in series to increase voltage. A series connection is made when the wire from the positive terminal of one module is connected to the negative terminal of the next module. A parallel connection is made when the wire from the positive terminal of one module is connected to the positive terminal on the next module. Do not connect strings with Y or T connector without any anti-reverse devices. Do not connect fuse in Combiner Box or string inverter with two or more strings in parallel connection. It is must to use the combiner box or string inverter with anti-reverse function. 为了确保系统正常运行, 在连接组件或连接负载 (如变频器、电池等) 时, 应观察确保电缆的极性连接正确。如

果组件连接不正确，旁路二极管可能会损坏。光伏组件可以串联接线以增加电压。串联连接是将接线从一个组件的正极端子连接到下一个组件的负极端子上。光伏组件可以并联连接以增加电流。并联连接是将接线从一个组件的正极端子连接到下一个组件的正极端子上。禁止使用 Y 或 T 型连接器来连接两串或多串组件。禁止将组串接入无防返装置的汇流箱或组串式逆变器中。需使用带“防返”装置的汇流箱或组串式逆变器。

When conducting electrical connection of the modules, please use diagonal pliers to cut the cable tie. When cutting the tie, be careful not to scratch the cables or the backside of the module. According to the electrical requirements. The positive and negative connectors should be connected in turn, and confirm that you hear a "click" to indicate that the connection is successful. Otherwise, during the operation of the modules, this could lead to electric arc due to poor connections and can burn the connectors. It is not recommended to interconnect different types of connectors. Please pay attention that the unlock method of connectors is different according to local laws and regulations. 请使用斜口钳剪开电缆扎带，注意不要划伤电缆和组件背部。按电气要求将组件间正负极连接器依次对插，确认听到“咔”的一声表示连接到位，否则将来组件允许时，会由于虚接产生电弧而烧坏连接器。不同型号的连接器的不建议互插连接使用。请注意连接器的打开方法各地法律法规要求不同。

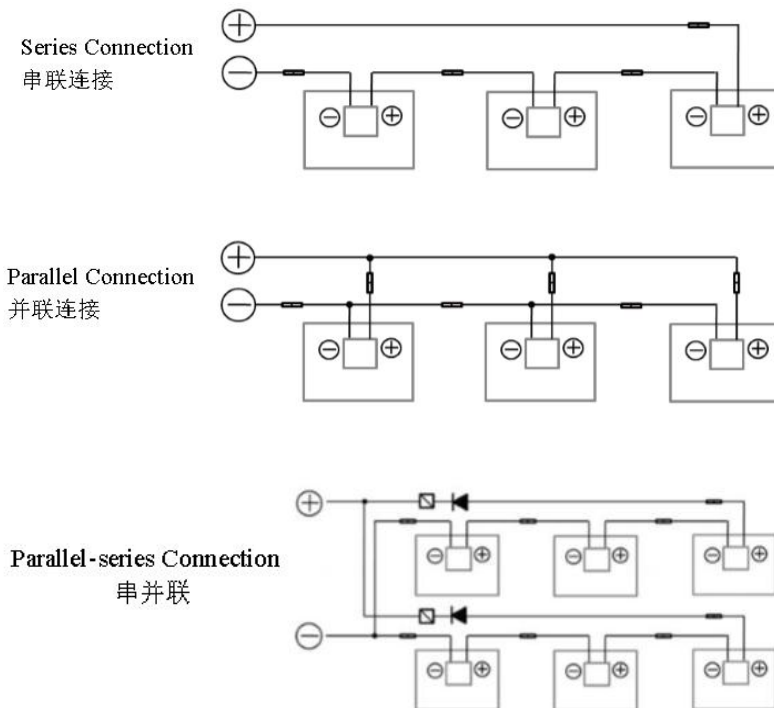


Fig. 5-5 Module connection method

图 5-5 组件连接方式

Before the commissioning and operation of the power station, please check the electrical connection of modules and strings, making sure all connection polarity is correct and the open circuit voltage meets the requirements of the acceptance criteria. 电站调试允许前，需要对组件和组串进行电器检查，确认组串的极性正确，其开路电压符合验收规范要求。

The number of modules in series and in parallel shall be designed reasonably according to the system configuration. 组件串联、并联数量，需根据系统配置合理设计。

To clear or trim excess cables and Hanersun recommends that all cables be placed in proper pipework and away from standing water. 清理或整理多余的电缆，汉伏能源建议所有电缆应布设在适当的管道中且远离易积水的地方。

Hanersun recommends using lightning protection devices which are complied with local laws and electrical regulations. 汉伏能源建议使用符合当地法律法规要求和电工规定的防雷保护装置。

All the above instructions must be followed to meet Hanersun warranty conditions. 须遵守上述所有说明以满足汉伏能源保修条件。

(3). Bypass secondary 旁路二极管

If PV module part by shadow block, which can lead to reverse voltage related to solar cells, PV modules in other unaffected battery string or other PV modules in the system and current will force through keep out part of the power loss and heat affected cell. When the PV module is connected in parallel with the bypass diode, the current in the system will flow directly through the diode, so as to bypass the blocked part of the PV module and minimize the heating degree and power consumption of the PV module. Bypass diodes are not over-current protection devices. 如果光伏组件某个部分受阴影阻挡，这会导致相关的太阳能电池形成反向电压，太阳能光伏组件中其他未受影响的电池串或系统中其他太阳能光伏组件的电流将会强行通过遮挡部分而产生电量损失并给受影响的电池片加热。当在太阳能光伏组件中并联旁路二极管后，系统中的电流将直接从二极管流过，从而旁路掉太阳能光伏组件中被遮挡的部分，把太阳能光伏组件发热程度和电能损耗降到最低。注意旁路二极管不是过电流保护装置。

Each module has three diodes. Please do not try to open the junction box to replace the diode, or even when the diode problem, please do this work by professionals. 每片光伏组件都在接线盒中装有 3 个旁路二极管。请不要尝试打开接线盒更换二极管，甚至是当二极管出现问题的时候，这些工作请由专业人士完成。

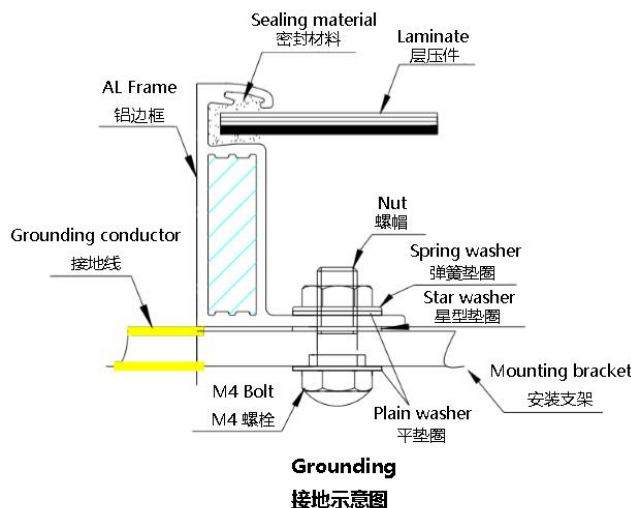
(4). Grounding 接地

All module frames and mounting racks must be properly grounded in accordance with the electrical design and construction specifications, procedures, regulations and other special grounding

requirements applicable to the installation sites. 所有组件边框和支架必须按照安装地所适用的电气设计施工规范、规程、法规及其他特殊接地要求正确接地。

Proper grounding can be achieved by connecting the module frame(s) and all metallic structural components together by using a suitable grounding conductor. The grounding conductors or wires may be copper, alloy, or any other materials that are in accordance with the local electrical design and construction specifications, procedures, and regulations. It is recommended to use the copper wire (4-14mm² or AWG 6-12) as the grounding wire. The signal "⏏" can be found at the grounding hole position. The ground wire must also be connected to ground through a suitable ground electrode. The tight connection of all the joint point should be ensured. 通过使用合适的接地导体将光伏组件边框和所有金属构件可靠连接在一起以实现正确接地。接地导体或接地线可以是铜、合金等符合安装地所适用的电气设计施工规范、规程、法规内规定的电导体的材料。推荐使用 4~14mm² 的铜导线 (AWG 6-12) 作为接地导线。组件的接地孔位置有接地标识"⏏"。接地线也必须通过合适的接地电极连接到大地。所有的导电连接点必须牢固连接。

On a grounding hole with a diameter of φ4 mm, use a separate grounding wire and related accessories to connect the aluminum frame of the solar PV module and connect the grounding wire to the ground. The grounding uses the M4*12mm bolts and M4 nuts, star washers and plain washers, this ensures that the modules are firmly grounded. You can find the corresponding product drawing in module datasheet to know the detailed number, size and position of the grounding holes. The torque applied to ground fixation is 4N·m ~ 8N·m. Do not drill any extra ground holes for convenience, this will void the modules warranty. Hanersun recommends using grounding wires with resistances that are less than 1Ω. 接地孔设计在光伏组件背面的铝合金边框上，直径为 4mm，使用单独的接地线和相关配件连接太阳能光伏组件的铝合金边框并将接地线连接到大地，建议使用 M4*12mm 的接地螺栓并配有 M4 的螺母，星型垫圈及平垫圈，这样能确保组件被牢靠接地。您可以在组件产品手册上找到相应的产品图纸，来了解详细的产品接地孔数量，尺寸和位置。接地固定应用扭力矩为 4N·m ~ 8N·m。请不要在组件边框上钻孔或者对其进行修改，汉伏能源有限质保将会无效。汉伏能源建议接地电阻 < 1Ω。



When grounding, each module can be grounded directly or in series or in parallel. If you choose the latter two options, it is recommended that the maximum number of modules connected in parallel should not exceed four, and in series should not exceed eight. 接地时，可以每块组件直接接地，也可以在组件串联或者并联后接地。在采取后者方式接地时，建议并联的最大数量不应超过四块组件，串联的最大数量不超过八块组件。

In addition to use the grounding hole, you can also choose the following grounding ways: 除了使用接地孔来进行接地外，您也可以选用以下方式进行接地：

- a. Grounding by unused mounting holes 使用未被使用的安装孔接地
- b. Other professional grounding devices 其他专用接地装置

The electrical contact points of all the above grounding methods should penetrate the anodized film of the aluminum frame. PV modules can be grounded by other grounding devices, which must be reliable and certified. The manufacturer's requirements should be followed. 不管采用哪一种接地方式，所有光伏组件铝合金边框的接地电接触点都需要穿透铝边框的阳极氧化涂层。在使用专用接地装置等其他第三方的接地装置接地时，需要确保这些接地装置是可靠的，并且通过专业认证的产品，在安装时需要遵守接地装置生产商的使用规定。

6. MODULE MAINTENANCE 组件维护

In order to ensure the long-term using of the installed PV system and maximize the power output performance of the modules, the installed PV modules need to be inspected and maintained regularly, which is the responsibility of the users. The inspection and maintenance of modules in the PV array shall be carried out by personnel who have received professional PV system maintenance training and obtained relevant qualifications and authorization. 为了保证所安装的光伏系统能够长期使用，并且最大化组件的功率输出表现，需要定期对所安装的光伏组件进行检查和维护，这是用户必须履行的责任。光伏方阵中组件的检查和维护需要受过专业光伏系统维护培训并获得相关资质和授权的人员来进行。

6.1. PANEL VISUAL INSPECTION AND REPLACEMENT 组件外观检查和替换

The modules in a PV array should be regularly checked for damage. Factors such as glass breakage, cable breakage, junction box damage and the terminals cannot be connected well may lead to function and safety problems. In the case of a damaged module, replace it with the same type of module. Do

not touch live parts of cables and connectors. Use appropriate safety equipment (insulated tools, insulating gloves, etc.) when handling modules. Refer to the appropriate Product Installation Manual for installation and disassembly of module. 应定期检查光伏方阵中组件是否有坏,例如玻璃破裂、线缆破损、接线盒损坏、接线端子无法良好连接等因素导致组件发生功能性和安全性故障,须更换相同类型组件。不许触碰电缆和连接器的带电部位。搬运组件时应使用适当的安全防护装置(绝缘工具、绝缘手套等)。组件的安装和拆卸请参阅产品安装手册。

Check the electrical, grounding and mechanical connections every 6 months to ensure they are clean and safe, free from damage or rust. Check that all string fuses in each non/earthed pole are operating. Check that the mounting parts are tight. Check all cables and make sure that the connectors are securely. PV modules frames and bracket should be well mechanically connected. 建议每6个月检查一次电气、接地和机械连接件,确保其清洁安全,无损坏或生锈;检查每个非接地极中的所有阵列保险丝是否正常工作;检查安装部件是否已拧紧;检查所有电缆并确保接头牢固拧紧。使用金属边框的光伏组件,边框和支架应结合良好。

Check whether there is any foreign body on the surface of the PV modules and whether there is any shielding. The vegetation should be cut regularly to avoid shading and thus affecting the module's performance. 检查光伏组件表面是否有异物,是否有遮挡。应定期削减植被,避免植被遮挡光伏组件,影响组件性能。

When repairing PV modules, cover the surface of PV modules with opaque material to prevent electric shock. Exposure of PV modules to sunlight will generate high voltages, this is dangerous. Please pay attention to safety when maintenance and it must be done by professionals. 修理太阳能光伏组件时请用不透明的材料覆盖在太阳能光伏组件表面以防止产生电击。太阳能光伏组件曝露在阳光下会产生高电压,维修时请注意安全,维修必须有专业人员进行。

Wear cut resistant gloves and other personal protective equipment required for the particular installation. Isolate the impacted array string to prevent current flow before attempting to remove the module. Disconnect the connectors of the affected module using the related disconnect tool provided by suppliers. Replace the damaged module with a new functional module of the same type. 进行特殊安装时需要穿戴防切割手套和其他防护装备。在尝试移除组件之前,一定要将受影响的阵列隔离以防止电流产生。用供应商提供的相关断开工具去断开受影响组件的连接。使用相同类型的新组件更换损坏的组件。

In a system using a battery, blocking diodes are typically placed between the battery and the PV module output to prevent battery discharge at night. 在使用电池的系统,阻塞二极管通常放置在电池和光伏组件输出装置之间以防止夜间电池放电。

When the irradiance is no less than $200\text{W}/\text{m}^2$, if the terminal voltage is more than 5% different

than the rated value, it illustrates the connection of the modules is not good. 在辐照度不低于 200W/m² 的情况下，如果终端的电压与额定值相差 5%以上，说明组件连接不好。

Comply with maintenance instructions for all modules used in the PV system, such as brackets, charging rectifiers, inverters, batteries, lightning protection systems, etc. 必须遵守光伏系统使用的所有部件，如支架、充电整流器、逆变器、蓄电池、防雷系统等的维护说明。

Warning: The warning signs on the PV modules must not be lost. Any electrical maintenance must shut down the PV system firstly. Improper system maintenance may cause fatal dangers such as electric shock and burning. Observe the safety precautions listed earlier in this Manual.

警告：光伏组件上的带电警告标识不得丢失。任何电气的维护都必须首先关闭光伏系统，不合适的系统维护可能导致电击和燃烧等致命的危险。请注意本手册前面列出的安全注意事项。

6.2. CONNECTOR AND CABLE INSPECTION 连接器和线缆检查

It's recommended to implement the following preventive maintenance every 6 months: 推荐每六个月进行一次以下的预防性维护：

(1). Check the sealing gels of the junction box for any damage. 检查接线盒密封胶，确保没有裂纹或缝隙；

(2). Examine the PV module(s) for signs of deterioration. Check all wiring for possible rodent damage, weathering and that all connections are tight and corrosion free. Check electrical leakage to ground. 检查光伏组件的老化迹象。包括可能的啮齿动物破坏、气候老化，以及所有连接器是否连接紧密、有无腐蚀现象。检查组件是否接地良好。

(3). Inspect all cables to verify that connections are tight, the cables are protected from direct sunlight and sited away from areas of water collection. 检查所有电缆以验证其连接是否牢固；避免电缆受阳光直射且使其远离积水区域。

(4). Check the torque of terminal bolts and the general condition of wiring. Also, check that mounting hardware is properly torqued. Loose connections will result in damage to the array. 检查端子螺栓的扭矩和接线的各方面情况。此外，检查安装的硬件是否紧固到位。连接松动会导致阵列损坏。

6.3. CLEANING 清洗

Dust accumulation on the glass surface of the module will reduce its power output and may cause hot spots. So the surface of PV modules should be kept clean. Maintenance work should be performed

at least once six months or frequently. 组件的功率输出和入射光强有关，灰尘堆积在组件的玻璃表面会影响入射光强，降低组件能量输出。所以光伏组件表面应保持清洁，清洗工作应至少半年一次或根据污染程度来进行更频繁的清洗。

Warning: It should be carried out by trained personnel. Workers should wear PPE, such as goggles, electric insulation gloves and safety shoes. The gloves should withstand DC voltages of no less than 2000V.

警告：组件的清洗工作应由受过训练的人员进行，工作人员应戴橡胶手套和工作靴，应能承受不低于 2000V 的直流工作电压。

Cleaning activities create risk of damaging the modules and array components, as well as increasing the potential electric shock hazard. Cracked or broken modules represent an electric shock hazard due to leakage currents, and the risk of shock is increased when modules are wet. Before cleaning, thoroughly inspect modules for cracks, damage, and loose connections. 清洗工作会造成组件以及一系列零部件的损坏风险，同时也会增加触电危险。破裂或者损坏的组件会由于漏电流而出现触电危险，而且组件潮湿会加剧这种触电风险。清洗之前需要完整地检查组件是否有破裂，损坏，以及接头松动。

Please make sure that the array has been disconnected from other active components before starting the cleaning. Do not immerse the module, partially or totally, in water or any other cleaning solutions. 清洗之前，请确保电路是断开的，否则接触带电部件裸露的部分会导致伤害。禁止将组件部分或完整地浸入水或任何一种洗涤溶液。

Use dry or wet soft cloths, sponges, etc. to clean the modules during the cleaning process, but do not put any modules directly into the water, do not use corrosive solvents and do not wipe the PV modules with hard objects. When the pressure water is used, the water pressure on the glass surface of the module must not exceed 700 KPa. The module must not be subjected to additional external force. If there is greasy dirt and other substances on the surface of the PV module which are difficult to clean, conventional household glass cleaning agents can be used; Do not use the alkaline and strong acid solvents. If necessary, use isopropyl alcohol (IPA) or other solution according to the safety instructions to clean and ensure that no solution flows into the gap between the edge of the module and the module frame. 应使用干燥或潮湿的柔软洁净布料和海绵擦拭光伏组件，严禁使用腐蚀性溶剂或用硬物擦拭组件。在采用压力水流清洗时，组件玻璃表面的水压不得超过 700KPa，组件严禁承受额外的外力；但不要直接将任何组件放入水中。光伏组件表面有油污等难清洁物质，可使用常规家用玻璃清洗剂；注意不能使用碱性及强酸性溶剂。如有必要，可按照安全指示使用异丙醇（IPA）或其他合适溶剂清洗，并确保溶剂没有流入组件边缘和组件框架之间的间隙。

Clean PV modules when the irradiance is below $200\text{W}/\text{m}^2$. When cleaning the modules, use a soft cloth together with a mild detergent and clean water. Take care to avoid severe thermal shocks which

might damage the module by cleaning modules with water which make sure the temperature difference between the water and the module is in the range of $-5^{\circ}\text{C} \sim 10^{\circ}\text{C}$. For example, do not use cold water to clean the module when the temperature of it is high during the day, otherwise there will be the risk of module damage. 应在辐照度低于 $200\text{W}/\text{m}^2$ 的情况下清洁光伏组件。清洁组件时，应使用软布和温和的清洁剂以及清水。清洁组件时应保证水温和组件温度的差异在 $-5^{\circ}\text{C} \sim 10^{\circ}\text{C}$ 之间，以注意避免出现严重的可能损坏组件的热冲击。比如不在一天中光伏组件温度较高的时候使用冷水清洗，以防损坏光伏组件。

It is forbidden to clean PV modules under the weather conditions of wind more than 4 grades (in Beaufort scale), heavy rain or heavy snow. 严禁在风力大于 4 级（蒲福风级）、大雨或大雪的气象条件下清洗光伏组件。

When cleaning PV modules, Do not step on the modules; Do not spray water on the backside of the module or the cables; keep the connectors clean and dry; prevent fire and electrical shock from occurring; Do not use as steam cleaner. 光伏组件清洁工作中，严禁踩踏组件、严禁流水溅射至组件背面和电缆，严禁清洁组件背面，要保证连接头的清洁和干燥，防止电击和火灾危险；严禁使用蒸汽清洁器。

The back surface of the module normally does not need to be cleaned but, in the event this is deemed necessary, avoid the use of any sharp projects that might damage the penetrating the substrate material. 组件的后表面通常不需要清洁；但在认为确实有必要对其进行清洗时，应避免使用可能引起损坏或穿透基底材料的一切尖锐物体。

When cleaning the back surface of the module, take care to avoid penetrating the substrate material. Modules that are mounted flat (0° tilt angle) should be cleaned more often, as they will NOT "self-clean" as effectively as modules mounted at a 10° tilt or greater. 清洁组件的背面时，注意避免清洗液渗到材料底层。应稍微频繁地清洁水平安装的组件（ 0° 倾斜角），因为这些组件不会像以 10° 倾斜角或更大倾斜角安装的组件那样具有“自清洁”功能。

Do not scrape or grind stains off surfaces while PV modules are dry, as this can cause minor scratches on the surface. 组件干燥的情况下不要在表面将污渍刮掉或者磨掉，因为这样会在表面引起细小的刮伤。

6.3.1 CLEANING METHODS 清洗方法

Method A: Compressed water 方法 A：高压水流清洗

Requirement for water quality: 水质要求：

- (1). pH: $5 \sim 7$; pH 值: $5 \sim 7$;
- (2). Chloride or salt content: $0 \sim 3000 \text{ mg}/\text{L}$; 氯化物或盐分含量： $0 \sim 3000 \text{ mg}/\text{L}$;
- (3). Turbidity: $0 \sim 30 \text{ NTU}$; 浑浊度： $0 \sim 30 \text{ NTU}$;

(4). Conductivity: 1500 ~ 3000 $\mu\text{s}/\text{cm}$; 电导率 : 1500 ~ 3000 $\mu\text{s}/\text{cm}$;

(5). Total dissolved solids (TDS): $\leq 1000 \text{ mg}/\text{L}$; 总溶解固体 (TDS) : $\leq 1000 \text{ mg}/\text{L}$;

(6). Water hardness (calcium and magnesium ions): 0 ~ 40 mg/L ; 水硬度 (钙和镁离子) 0 ~ 40 mg/L ;

(7). Non-alkaline water must be used, and softened water can be used when conditions permitted.

必须采用非碱性水，具备条件时应使用软化水。

Method B: Compressed Air 方法 B : 压缩空气清洗

Hanersun recommends using this method to clean the soft dirt (like dust) on modules. This technique can be applied as long as the method is efficient enough to clean the modules considering the on-site conditions. 推荐清洗组件上软质污渍(像灰尘)时,使用气压清洗方式。只要现场清洗效果足够好,此技术就可被应用。

Method C: Wet cleaning 方法 C : 湿式清洗

If excessive soiling is present on the module surface, a non-conductive brush, sponge, or other mild agitating method may be used with caution. 如果组件表面存在过多的污渍,那可以小心地使用绝缘刷,海绵或别的软质的清洗工具。

Please make sure that any brushes or agitating tools are constructed with non-conductive materials to minimize risk of electric shock and that they are not abrasive to the glass or the aluminum frame. 确保任何刷子或搅动工具由绝缘材料构成,使触电的风险降到最低,且这些工具对玻璃或铝合金边框不会产生划痕。

If grease is present, an environmentally friendly cleaning agent may be used with caution. 如果有油渍存在,那可以谨慎地使用一种环境友好型清洁剂。

Method D: Cleaning robot 方法 D : 清洗机器人清洗

If a cleaning robot is used for dry cleaning, the brush material is required to be soft plastic material, and the glass surface and aluminum alloy frame of the module will not be scratched during the cleaning process and after cleaning. The weight of the cleaning robot should not to be too large. If the cleaning robot is improperly used, and the resulting module damage and power attenuation are not covered by Hanersun's warranty. 如果采用清洗机器人进行干洗,要求毛刷材质为软性塑料,清洗过程及清洗后不会对组件玻璃面和铝合金边框造成划伤,清洗机器人的重量不宜过大,对采用清洗机器人清洗不当造成的组件损坏,功率衰减,不在汉伏能源质保范围内。

6.3.2. MODULE INSPECTION AFTER CLEANING 清洗后组件检查

- (1). Ensure that the module under visual inspection is clean, bright and free of stains;
目视组件整体外观是否清洁、明亮、无污渍；
- (2). Spot check to verify whether there is soot deposit on the module surface;
抽样检查组件表面是否有积灰存在；
- (3). Check to whether there are visible scratches on the surface of the module or not;
检查组件表面有无明显的刮伤痕迹；
- (4). Check whether there is no man-made cracks on the module surface or not;
组件表面有无人为造成的破裂现象；
- (5). Check whether the module support structure is leaning or bent or not;
清洗后组件支架有无倾斜和弯曲现象；
- (6). Check whether the connectors of the module are detached or not;
清洗后组件接线端子是否有松开或脱落现象；
- (7). After cleaning, fill out the PV module cleaning record.
需要完成清洗后文字记录。

6.3.3. TROUBLESHOOTING 故障排查

If the PV system does not work properly, please inform your installer immediately. It is recommended to perform a preventive inspection every six months, please don't change any modules of the modules. If electrical or mechanical properties are required for inspection or maintenance, qualified professionals should be advised to avoid any electric shock or loss of life. 如果安装后，光伏系统无法正常工作，请立即通知安装商。建议每 6 个月执行一次预防性检查，不要擅自更换组件的元部件，如果需要进行电性能或机械性能的检查和维护，需要让具有资质的，并且受过专业培训的专业人员进行操作，以免发生触电或人员伤亡。

7. ELECTRICAL RATING 功率档位

Series	Model	Voc±3%(V)	Isc±3%(A)	Vmpp(V)	Imp(A)
HITOUCH 4	HN17-72H420W	48.40	11.10	39.90	10.53
	HN17-72H425W	48.60	11.17	40.10	10.60
	HN17-72H430W	48.80	11.24	40.30	10.67
	HN17-72H435W	49.00	11.31	40.50	10.74
	HN17-72H440W	49.20	11.39	40.70	10.82
	HN17-72H445W	49.40	11.46	40.80	10.90
	HN17-72H450W	49.60	11.53	41.00	10.98
	HN17-72H455W	49.80	11.60	41.20	11.05
	HN17-72H460W	50.00	11.67	41.40	11.12
	HN17-60H355W	40.40	11.18	33.30	10.66
	HN17-60H360W	40.70	11.24	33.60	10.70
	HN17-60H365W	41.00	11.30	33.90	10.76
	HN17-60H370W	41.30	11.37	34.20	10.82
	HN17-60H375W	41.60	11.45	34.40	10.89
	HN17-60H380W	41.90	11.52	34.60	10.99
	HN17-60H385W	42.20	11.58	34.80	11.07
	HN17-72HB410W	48.00	10.96	39.50	10.39
	HN17-72HB415W	48.20	11.03	39.70	10.46
	HN17-72HB420W	48.40	11.10	39.90	10.53
	HN17-72HB425W	48.60	11.17	40.10	10.60
	HN17-72HB430W	48.80	11.24	40.30	10.67
	HN17-72HB435W	49.00	11.31	40.50	10.75
	HN17-72HB440W	49.20	11.38	40.70	10.82
	HN17-72HB445W	49.40	11.45	40.90	10.89
	HN17-72HB450W	49.60	11.52	41.10	10.95
	HN17-72HB455W	49.80	11.59	41.30	11.02
	HN17-60HB340W	39.60	10.99	32.50	10.47
	HN17-60HB345W	39.80	11.05	32.80	10.53
	HN17-60HB350W	40.10	11.11	33.00	10.61
	HN17-60HB355W	40.40	11.18	33.30	10.66

	HN17-60HB360W	40.60	11.24	33.50	10.75
	HN17-60HB365W	40.80	11.31	33.70	10.84
	HN17-60HB370W	41.00	11.37	33.90	10.92
	HN17-60HB375W	41.20	11.43	34.10	11.00
	HN17-60HB380W	41.40	11.49	34.30	11.08
HITOUCH 5	HN18-72H555W	50.40	13.79	42.73	12.98
	HN18-72H550W	50.10	13.73	42.53	12.91
	HN18-72H545W	50.01	13.69	42.38	12.86
	HN18-72H540W	49.90	13.64	42.16	12.81
	HN18-72H535W	49.78	13.60	41.93	12.76
	HN18-72H530W	49.65	13.55	41.70	12.71
	HN18-72H525W	49.53	13.50	41.47	12.66
	HN18-72H520W	49.41	13.45	41.24	12.61
	HN18-66H510W	45.95	14.08	38.73	13.19
	HN18-66H505W	45.72	14.01	38.53	13.11
	HN18-66H500W	45.59	13.93	38.35	13.04
	HN18-66H495W	45.46	13.86	38.17	12.97
	HN18-66H490W	45.33	13.79	37.99	12.90
	HN18-66H485W	45.20	13.72	37.81	12.83
	HN18-66H480W	45.07	13.65	37.67	12.76
	HN18-60H460W	41.66	14.01	35.07	13.12
	HN18-60H455W	41.46	13.94	34.87	13.05
	HN18-60H450W	41.33	13.87	34.67	12.98
	HN18-60H445W	41.21	13.79	34.50	12.90
	HN18-60H440W	41.08	13.71	34.33	12.82
	HN18-60H435W	40.96	13.63	34.12	12.75
	HN18-54H415W	37.54	13.77	31.42	13.13
	HN18-54H410W	37.34	13.70	31.22	13.06
	HN18-54H405W	37.14	13.65	31.02	13.00
	HN18-54H400W	36.94	13.60	30.82	12.94
	HN18-54H395W	36.74	13.55	30.62	12.88
	HN18-54H390W	36.54	13.50	30.42	12.82
	HN18-72HB540W	49.41	13.79	41.65	12.97
	HN18-72HB535W	49.30	13.69	41.45	12.91

	HN18-72HB530W	49.19	13.59	41.25	12.85
	HN18-72HB525W	49.07	13.49	41.07	12.79
	HN18-72HB520W	48.94	13.39	40.87	12.73
	HN18-66HB495W	45.33	13.79	38.17	12.97
	HN18-66HB490W	45.19	13.69	37.99	12.90
	HN18-66HB485W	45.04	13.59	37.78	12.84
	HN18-66HB480W	44.86	13.49	37.59	12.77
	HN18-60HB450W	41.33	13.87	34.67	12.98
	HN18-60HB445W	41.21	13.79	34.50	12.90
	HN18-60HB440W	41.08	13.71	34.33	12.82
	HN18-60HB435W	40.96	13.63	34.12	12.75
	HN18-54HB405W	37.30	13.75	31.30	12.95
	HN18-54HB400W	37.10	13.67	31.10	12.87
	HN18-54HB395W	36.90	13.60	30.90	12.80
	HN18-54HB390W	36.70	13.53	30.70	12.73
HITOUCH 5N	HN18N-72H585W	51.60	14.29	43.40	13.48
	HN18N-72H580W	51.40	14.23	43.20	13.43
	HN18N-72H575W	51.20	14.17	43.00	13.38
	HN18N-72H570W	51.00	14.11	42.80	13.32
	HN18N-72H565W	50.80	14.05	42.60	13.27
	HN18N-72H560W	50.60	13.99	42.40	13.21
	HN18N-72H555W	50.40	13.93	42.20	13.16
	HN18N-66H535W	47.30	14.27	39.80	13.45
	HN18N-66H530W	47.10	14.21	39.60	13.40
	HN18N-66H525W	46.90	14.16	39.40	13.37
	HN18N-66H520W	46.70	14.10	39.20	13.31
	HN18N-66H515W	46.50	14.04	39.00	13.25
	HN18N-66H510W	46.30	13.98	38.80	13.19
	HN18N-60H490W	43.20	14.29	36.30	13.50
	HN18N-60H485W	43.00	14.24	36.10	13.44
	HN18N-60H480W	42.80	14.21	35.90	13.40
	HN18N-60H475W	42.60	14.16	35.70	13.34
	HN18N-60H470W	42.40	14.08	35.50	13.28
HN18N-60H465W	42.20	14.02	35.30	13.22	

HN18N-60H460W	42.00	13.96	35.10	13.16
HN18N-54H440W	38.70	14.26	32.70	13.46
HN18N-54H435W	38.50	14.19	32.50	13.39
HN18N-54H430W	38.30	14.12	32.30	13.32
HN18N-54H425W	38.10	14.05	32.10	13.24
HN18N-54H420W	37.90	13.98	31.90	13.17
HN18N-54H415W	37.70	13.91	31.70	13.10
HN18N-72HB580W	51.40	14.23	43.20	13.43
HN18N-72HB575W	51.20	14.17	43.00	13.38
HN18N-72HB570W	51.00	14.11	42.80	13.32
HN18N-72HB565W	50.80	14.05	42.60	13.27
HN18N-72HB560W	50.60	13.99	42.40	13.21
HN18N-72HB555W	50.40	13.93	42.20	13.16
HN18N-72HB550W	50.20	13.87	42.00	13.11
HN18N-72HB545W	50.00	13.81	41.80	13.04
HN18N-66HB530W	47.10	14.25	39.60	13.39
HN18N-66HB525W	46.90	14.18	39.40	13.33
HN18N-66HB520W	46.70	14.11	39.20	13.27
HN18N-66HB515W	46.50	14.04	39.00	13.21
HN18N-66HB510W	46.30	13.98	38.80	13.15
HN18N-66HB505W	46.10	13.92	38.57	13.10
HN18N-66HB500W	45.90	13.85	38.37	13.04
HN18N-66HB495W	45.70	13.79	38.17	12.97
HN18N-60HB485W	43.00	14.26	36.10	13.44
HN18N-60HB480W	42.80	14.20	35.90	13.38
HN18N-60HB475W	42.60	14.14	35.70	13.31
HN18N-60HB470W	42.40	14.08	35.50	13.25
HN18N-60HB465W	42.20	14.02	35.30	13.18
HN18N-60HB460W	42.00	13.96	35.10	13.11
HN18N-60HB455W	41.80	13.90	34.90	13.07
HN18N-60HB450W	41.60	12.84	34.70	12.97
HN18N-54HB435W	38.50	14.19	32.50	13.39
HN18N-54HB430W	38.30	14.12	32.30	13.32
HN18N-54HB425W	38.10	14.05	32.10	13.24

	HN18N-54HB420W	37.90	13.98	31.90	13.17
	HN18N-54HB415W	37.70	13.91	31.70	13.10
	HN18N-54HB410W	37.50	13.82	31.50	13.02
	HN18N-54HB405W	37.30	13.75	31.30	12.95
HITOUCH 6	HN21-66H670W	45.80	18.55	38.70	17.23
	HN21-66H665W	45.60	18.51	38.50	17.28
	HN21-66H660W	45.40	18.47	38.30	17.24
	HN21-66H655W	45.20	18.43	38.10	17.20
	HN21-66H650W	45.00	18.39	37.90	17.16
	HN21-66H645W	44.80	18.35	37.70	17.11
	HN21-66H640W	44.60	18.31	37.50	17.07
	HN21-66H635W	44.40	18.27	37.30	17.03
	HN21-66H630W	44.20	18.23	37.10	17.29
	HN21-60H610W	41.70	18.58	35.30	17.31
	HN21-60H605W	41.50	18.52	35.10	17.25
	HN21-60H600W	41.30	18.47	34.90	17.20
	HN21-60H595W	41.10	18.42	34.70	17.15
	HN21-60H590W	40.90	18.37	34.50	17.11
	HN21-60H585W	40.70	18.32	34.30	17.06
	HN21-60H580W	40.50	18.27	34.10	17.02
	HN21-60H575W	40.30	18.22	33.90	16.98
	HN21-55H560W	38.3	18.62	32.00	17.50
	HN21-55H555W	38.10	18.56	31.80	17.45
	HN21-55H550W	37.90	18.52	31.60	17.40
	HN21-55H545W	37.70	18.47	31.40	17.37
	HN21-55H540W	37.50	18.41	31.20	17.33
	HN21-55H535W	37.30	18.36	31.00	17.28
	HN21-55H530W	37.10	18.31	29.80	17.23
	HN21-55H525W	36.90	18.26	29.60	17.18
	HN21-50H505W	34.70	18.58	23.00	17.47
	HN21-50H500W	34.50	18.52	28.80	17.40
	HN21-50H495W	34.30	18.47	28.60	17.37
HN21-50H490W	34.10	18.41	28.40	17.33	
HN21-50H485W	33.90	18.36	28.20	17.28	

	HN21-50H480W	33.70	18.31	28.00	17.23
	HN21-40H405W	27.7	18.58	23.20	17.46
	HN21-40H400W	27.50	18.52	23.00	17.40
	HN21-40H395W	27.30	18.47	22.80	17.37
	HN21-40H390W	27.10	18.41	22.70	17.33
	HN21-40H385W	26.90	18.35	22.50	17.29
	HN21-66HB660W	45.40	18.46	38.20	17.28
	HN21-66HB655W	45.20	18.42	38.00	17.24
	HN21-66HB650W	45.00	18.38	37.80	17.20
	HN21-66HB645W	44.80	18.34	37.60	17.16
	HN21-66HB640W	44.60	18.30	37.50	17.07
	HN21-60HB600W	41.30	18.47	34.80	17.25
	HN21-60HB595W	41.10	18.42	34.60	17.20
	HN21-60HB590W	40.90	18.37	34.40	17.16
	HN21-60HB585W	40.70	18.32	34.20	17.11
	HN21-60HB580W	40.50	18.27	34.00	17.06
	HN21-55HB550W	37.90	18.46	31.86	17.27
	HN21-55HB545W	37.70	18.41	31.66	17.22
	HN21-55HB540W	37.50	18.35	31.46	17.17
	HN21-55HB535W	37.30	18.30	31.26	17.12
	HN21-50HB495W	34.30	18.47	28.60	17.31
	HN21-50HB490W	34.10	18.41	28.40	17.27
	HN21-50HB485W	33.90	18.36	28.20	17.20
	HN21-40HB400W	27.50	18.46	23.20	17.26
	HN21-40HB395W	27.30	18.41	23.00	17.19
	HN21-40HB390W	27.10	18.36	22.80	17.12
HITOUCH 6N	HN21N-66H695W	48.00	18.30	40.20	17.29
	HN21N-66H690W	47.80	18.26	40.00	17.25
	HN21N-66H685W	47.60	18.22	39.80	17.22
	HN21N-66H680W	47.40	18.18	39.60	17.18
	HN21N-66H675W	47.20	18.14	39.40	17.14
	HN21N-66H670W	47.00	18.10	39.20	17.10
	HN21N-60H630W	43.20	18.27	36.48	17.27
	HN21N-60H625W	43.00	18.23	36.28	17.23

HN21N-60H620W	42.80	18.19	36.07	17.19
HN21N-60H615W	42.60	18.15	35.87	17.15
HN21N-60H610W	42.40	18.11	35.66	17.11
HN21N-55H580W	39.23	18.28	33.56	17.29
HN21N-55H575W	39.03	18.24	33.36	17.24
HN21N-55H570W	38.83	18.20	33.14	17.20
HN21N-55H565W	38.63	18.16	32.93	17.16
HN21N-55H560W	38.43	18.12	32.72	17.12
HN21N-50H525W	35.35	18.29	30.37	17.29
HN21N-50H520W	35.15	18.25	30.15	17.25
HN21N-50H515W	34.95	18.21	29.93	17.21
HN21N-50H510W	34.75	18.17	29.71	17.17
HN21N-50H505W	34.55	18.13	29.49	17.13
HN21N-40H425W	28.49	18.34	24.55	17.32
HN21N-40H420W	28.29	18.30	24.30	17.29
HN21N-40H415W	28.09	18.26	24.05	17.26
HN21N-40H410W	27.89	18.22	23.81	17.22
HN21N-40H405W	27.69	18.18	23.58	17.18
HN21N-66HB690W	47.80	18.26	40.00	17.25
HN21N-66HB685W	47.60	18.22	39.80	17.22
HN21N-66HB680W	47.40	18.18	39.60	17.18
HN21N-66HB675W	47.20	18.14	39.40	17.14
HN21N-66HB670W	47.00	18.10	39.20	17.10
HN21N-66HB665W	46.80	18.07	39.00	17.06
HN21N-66HB660W	46.60	18.03	38.80	17.02
HN21N-60HB625W	43.00	18.23	36.27	17.24
HN21N-60HB620W	42.80	18.19	36.07	17.19
HN21N-60HB615W	42.60	18.15	35.87	17.15
HN21N-60HB610W	42.40	18.11	35.66	17.11
HN21N-60HB605W	42.20	18.08	35.45	17.07
HN21N-60HB600W	42.00	18.04	35.24	17.03
HN21N-55HB575W	39.03	18.24	35.35	17.25
HN21N-55HB570W	38.83	18.20	33.14	17.20
HN21N-55HB565W	38.63	18.16	32.93	17.16

	HN21N-55HB560W	38.43	18.12	32.72	17.12
	HN21N-55HB555W	38.24	18.08	32.52	17.07
	HN21N-55HB550W	38.04	18.03	32.32	17.02
	HN21N-50HB520W	35.69	18.22	30.18	17.23
	HN21N-50HB515W	35.49	18.17	29.98	17.18
	HN21N-50HB510W	35.29	18.12	29.78	17.13
	HN21N-50HB505W	35.09	18.07	29.59	17.07
	HN21N-50HB500W	34.89	18.02	29.39	17.02
	HN21N-40HB420W	28.79	18.24	24.37	17.25
	HN21N-40HB415W	28.59	18.18	24.17	17.17
	HN21N-40HB410W	28.39	18.12	23.97	17.11
	HN21N-40HB405W	28.19	18.06	23.77	17.04
	HN21N-40HB400W	27.99	18.00	23.57	16.98


HANERSUN



Hanersun Technology Co., Ltd

 10F, Building B4, No.19, Suyuan Avenue, Jiangning District, Nanjing, China

 211100

 +86-25-52791766

 sales@hanersun.com

 www.hanersun.com/contact-us